

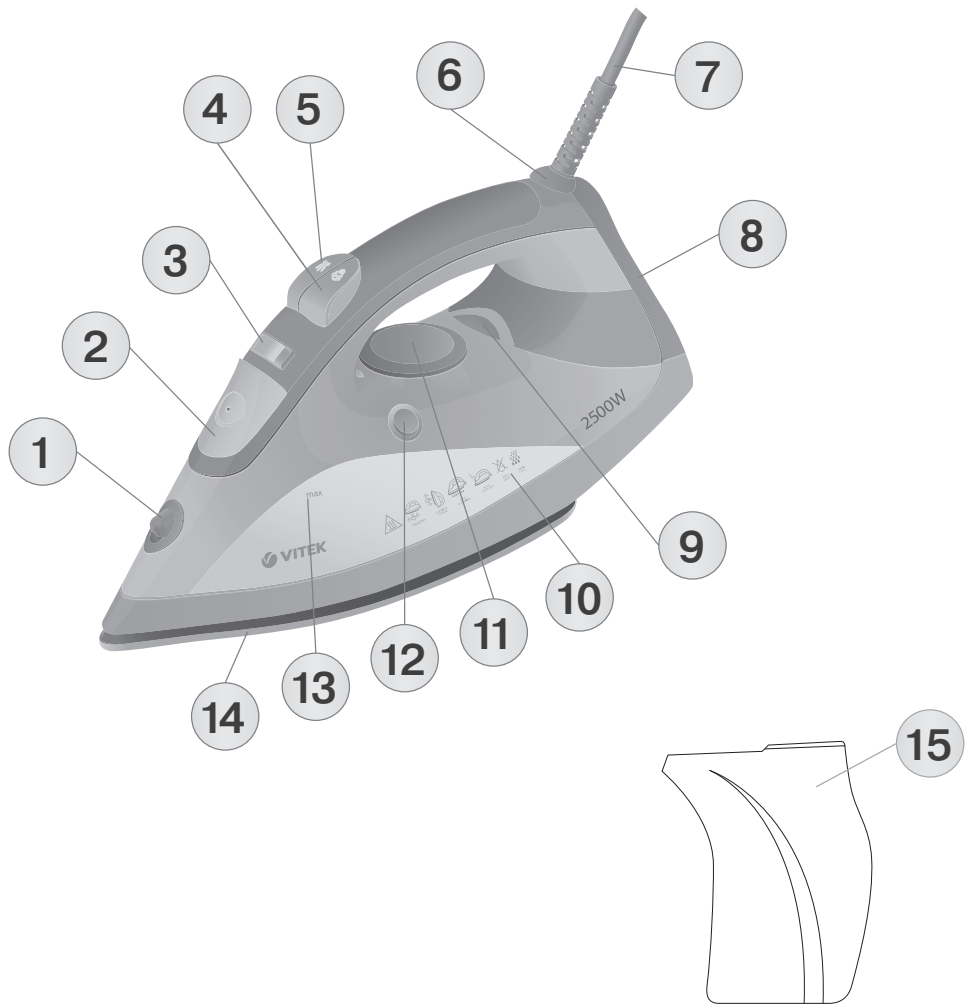
VT-1212 W

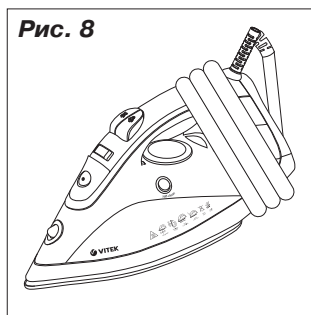
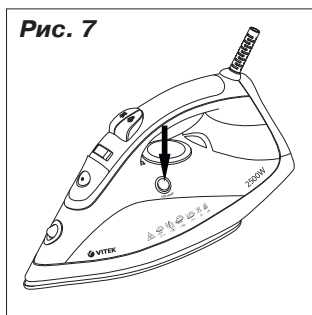
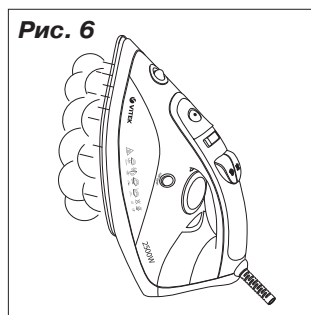
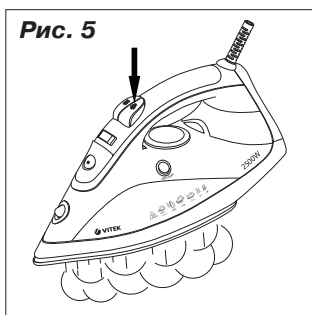
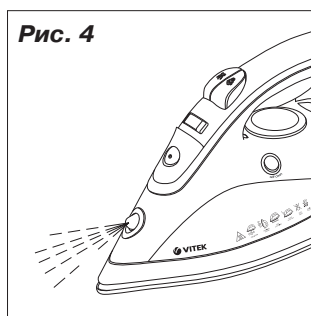
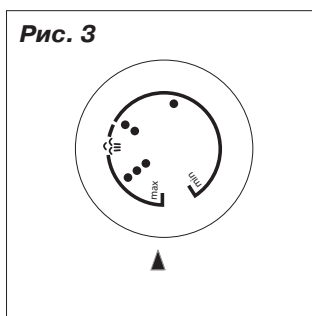
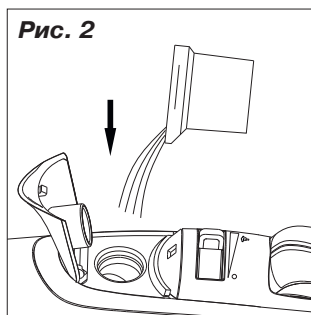
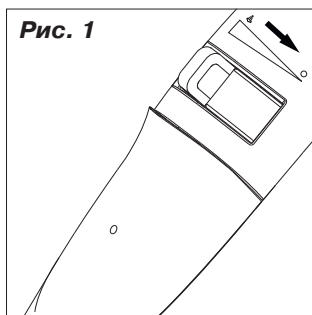
Steam iron

Паровой утюг

Инструкция по эксплуатации

GB Manual instruction	4
DE Die betriebsanweisung	8
RUS Инструкция по эксплуатации	13
KZ Пайдалану нұсқасы	18
ROM/MD Instrucțiune de exploatare	23
CZ Návod k použití	28
UA Інструкція з експлуатації	33
BEL Инструкция па эксплуатацыі	37
UZ Foydalanish qoidalari	42





ENGLISH

- **Do not use the iron after dropping, in case of visible damage or leakage.**
- **Place the iron on a flat stable surface or use a stable ironing board.**
- **Always take the power plug out of the mains socket before filling the iron water tank with water.**
- **Water inlet lid should be closed during ironing.**
- **Attention! The unit surfaces get hot during its operation. Do not let open skin areas contact with iron hot surfaces or outgoing steam to avoid burns.**
- **Pour out water from the tank only after unplugging the iron.**
- **Never leave the operating iron unattended.**
- **This unit is not intended for usage by children under 8 years old.**
- **During the operation and cooling down of the iron keep it in a place, out of the reach of children under 8 years old.**
- **Children from 8 years old and disabled persons can use the unit only when they are under supervision of a person who is responsible for their safety and who has given them all the necessary and understandable instructions on use of the unit in a safe way and information about danger that can be caused by improper usage of the unit.**

STEAM IRON

Description

1. Water spray nozzle
2. Water inlet lid
3. Continuous steam supply knob
4. Burst of steam button
5. Water spray button
6. Handle
7. Power cord protection
8. Base
9. Pilot lamp of the heating element
10. Water tank
11. Temperature control knob
12. Self-clean mode button
13. «Max» water level mark
14. Soleplate
15. Beaker

SAFETY MEASURES

Before using the unit, read these instructions carefully. Keep these instructions for future reference.

Use the unit according to its intended purpose only, as it is stated in this user manual. Mishandling the unit can lead to its breakage and cause harm to the user or damage to his/her property.

- Before switching the unit on, make sure that your home mains voltage corresponds to the iron operating voltage.
- Power cord is equipped with "euro plug"; plug it into the socket with reliable grounding contact.
- In order to avoid fire or electric shock do not use adapters for plugging the unit in.
- In order to avoid mains overloading do not switch on many electrical appliances with high power consumption at the same time.
- Do not fill the water tank with scented liquids, vinegar, starch solution, descaling reagents, chemical agents etc.
- Do not let the power cord run on the ironing board and touch hot surfaces.
- Place the iron on the base (vertically) while working intervals.
- Before plugging/unplugging the iron, set the temperature control knob to the minimum position and switch the continuous steam supply off.
- Always unplug the iron when you are not using it.
- To unplug the iron always pull its plug, but not the power cord.
- To avoid risk of electric shock, do not immerse the iron, power cord and plug into water or other liquids.
- Before taking the iron away, pour out the remaining water and let the unit cool down.
- In order to avoid electric shock do not dismantle the iron by yourself. If the unit has damages apply to the authorized service center.
- For children safety reasons do not leave polyethylene bags, used as a packaging, unattended.

- **Attention!** Do not allow children to play with polyethylene bags or packaging film. **Danger of suffocation!**
- Never allow children to use the unit as a toy.
- Store the iron vertically in a dry cool place, out of the reach of children and disabled persons.

THE UNIT IS INTENDED FOR HOUSEHOLD USAGE ONLY

BEFORE THE FIRST USE

After unit transportation or storage at low temperature it is necessary to keep it for at least two hours at room temperature before switching on.

- Unpack the iron; remove the protection from the iron soleplate (14) if any.
- Check the unit for damages; do not use the iron in case of damages.
- Make sure that the voltage of the mains corresponds to the operating voltage of the iron.

AUTOMATIC SWITCH OFF FUNCTION

This model has two automatic switching off modes.

1. If the iron remains still for 30 seconds in horizontal position, the heating element of the iron will be switched off, and you will hear sound signals. The unit will be switched on automatically once you resume ironing.
2. If the iron remains still for 8 minutes in vertical position, the heating element of the iron will be switched off, and you will hear sound signals. The unit will be switched on automatically once you resume ironing.

WATER SELECTION

Use tap water to fill the tank. If tap water is hard, it is recommended to mix it with distilled water in proportion 1:1, if tap water is too hard, mix it with distilled water in proportion 1:2 or use distilled water only.

FILLING THE WATER TANK

Before filling the tank with water make sure that the iron is unplugged.

- Set the temperature control knob (11) to the «minimum» position, and the continuous steam supply knob (3) to the «0» position (pic. 1).
- Open the water inlet lid (2).
- Pour water into the water tank (10) with a beaker (15) (pic. 2), then close the lid (2).

Notes:

- Do not fill the water tank (10) with scented liquids, vinegar, starch solution, descaling reagents, chemical agents etc.
- Do not exceed the "max" mark (13).
- If you need to refill water during ironing, first switch the iron off and unplug it.

IRONING TEMPERATURE

- Always check the recommended ironing temperature indicated on the tag before ironing.

ENGLISH

- If the tag does not list the recommended ironing temperature, but you know the type of fabric, refer to the following table to determine the proper temperature.

Icons of the ironing temperature	Fabric type (temperature)
•	Synthetics, nylon, acryl, polyester (low temperature)
••	Silk/wool (medium temperature)
•••	Cotton, linen (high temperature)
max	Maximum temperature

- This table is only valid for smooth materials. Fabrics of other types (crimped, raised etc.) are best ironed at low temperature.
- Sort items by ironing temperature first: synthetics with synthetics, wool with wool, cotton with cotton etc.
- The iron heats up faster than it cools down. For this reason it is recommended to begin ironing at low temperature (for instance, synthetic fabrics).
- After that start ironing at higher temperature (silk, wool). Cotton and linen items should be ironed last.
- If an item is made of mixed fabrics, the iron should be set to the lowest temperature (for instance, if an item is made of acryl and cotton, it should be ironed at temperature used for acryl ironing “•”).
- If you cannot define the fabric structure, find a place that is hidden while wearing and select the ironing temperature experimentally (always start with the lowest temperature and raise it gradually until you get the desired result).
- Corduroy and other fabrics that become glossy quickly should be ironed strictly in one direction (in direction of the pile) slightly pressing.
- To avoid appearance of glossy spots on synthetic and silk fabrics, iron them backside.

SETTING THE IRONING TEMPERATURE

- Place the iron on its base (8).
- Insert the power plug into the mains socket.
- Turn the temperature control knob (11) to set the required ironing temperature: «•», «••», «•••» or «max» (pic. 3), depending on the type of fabric, the pilot lamp (9) will light up.
- Once the soleplate (14) temperature reaches the set one, the pilot lamp (9) will go out, you can start ironing.

Note:

- *While the first switching on the heating element of the iron burns, therefore occurrence of foreign smell and a small amount of smoke is possible, it is normal.*

WATER SPRAY

- You can dampen the fabric by pressing the spray button (5) several times (pic. 4).

- Make sure that there is enough water in the water tank (10).

DRY IRONING

- Place the iron on its base (8).
- Insert the power plug into the mains socket.
- Turn the temperature control knob (11) to set the required ironing temperature: «•», «••», «•••» or «max» (pic. 3), depending on the type of fabric, the pilot lamp (9) will light up.
- Set the continuous steam supply knob (3) to the position «0» (continuous steam supply is off) (pic. 1).
- Once the soleplate temperature reaches the set one, the pilot lamp (9) will go out, you can start ironing.
- After you finish ironing set the temperature control knob (11) to the «minimum» position.
- Pull the plug out of the socket and let the iron cool down completely.

STEAM IRONING

Steam ironing is possible only if the temperature control knob (11) is set to the position «••», «•••» or «max».

The iron is provided with anti-drip valve that stops water supply, if the soleplate temperature is too low, it prevents dripping from the soleplate openings (14). During heating and cooling of the iron soleplate you may hear characteristic clicks of the anti-drip valve opening/closing that indicates its normal operation.

- Place the iron on its base (8).
- Insert the power plug into the mains socket.
- Make sure that there is enough water in the water tank (10).
- Turn the temperature control knob (11) to set the required ironing temperature: - «••», «•••» or «max», the pilot lamp (9) will light up.
- Once the soleplate (14) temperature reaches the set one, the pilot lamp (9) will go out, you can start ironing.
- Set the necessary steam intensity with the continuous steam supply knob (3).
- In continuous steam supply mode steam will be released from the soleplate openings (14) only if the iron is in horizontal position. To stop the steam supply put the iron vertically or set the continuous steam supply knob (3) to the «0» position.
- After you have finished using the iron set the temperature control knob (11) to the «minimum» position, and the continuous steam supply knob (3) to the «0» position (pic. 1).
- Pull the power plug out of the mains socket and let the iron cool down completely.

ATTENTION!

If steam is not supplied constantly during the operation, check whether the temperature control knob (11) and the steam supply knob (3) are set properly

and whether there is enough water in the water tank (10).

BURST OF STEAM

Burst of steam function is useful when ironing of folds and can only be used at high ironing temperatures (when the iron temperature control knob (11) is set to "max" position).

When pressing the burst of steam button (4) steam will go out of the iron soleplate intensively (pic. 5).

Note: To avoid water leakage from steam openings, press the burst of steam button (4) with a 4-5 sec. interval.

VERTICAL STEAM

Vertical steam function can be used only at high ironing temperatures (when the iron temperature control knob (11) is set to "max" position).

Wait till the iron soleplate heats up, hold the iron vertically at the distance of 10-30 cm from the clothes, press the burst of steam button (4) with a 4-5 seconds interval, steam will be supplied from the soleplate (14) intensively (pic. 6). dripping do not perform vertical steam when the soleplate is heating up (the pilot lamp (9) lights up).

Important information

- Vertical steam is not recommended for synthetic fabrics.
- To avoid fabric burning, do not touch it with iron soleplate while steaming.
- Never steam clothes on a person as the steam temperature is very high, use clothes hanger or a stand.
- After you finish ironing, switch the unit off, wait until it cools down completely, then open the water inlet lid (2), turn over the iron and pour out the remaining water.

STEAM CHAMBER CLEANING

To prolong lifetime of the iron we recommend to clean the steam chamber regularly, especially in the regions with hard tap water.

- Set the continuous steam supply knob (3) to the «0» position (pic. 1).
- Fill the water tank (10) till the "max" mark (13).

Note: Do not fill the water tank with scented liquids, vinegar, starch solution, descaling reagents, chemical agents etc.

- Place the iron on its base (8).
- Insert the power plug into the mains socket.
- Set the control knob (11) to the maximum soleplate temperature «max», the pilot lamp (9) will light up.
- When the soleplate (14) reaches the set temperature, the pilot lamp (9) will go out. After reheating of the iron soleplate you can start cleaning the steam chamber.
- Unplug the unit.
- Hold the iron above the sink horizontally, press and hold the self-clean button (12) (pic. 7).
- Boiling water and steam with scale will be released from the iron soleplate (14) openings.

- Slightly sway the iron forwards and backwards, until water goes out of the water tank (10).
- Place the iron on its base (8) and let it cool down completely.
- Once the soleplate (14) cools down completely, wipe it with a dry cloth.
- Before you take the iron away for storage, make sure that there is no water in the water tank (10) and that the soleplate (14) is dry.

CLEANING AND CARE

- Before cleaning the iron, make sure that it is unplugged and has cooled down completely.
- Wipe the iron body with a slightly damp cloth and then wipe it dry.
- Scale on the iron soleplate can be removed with a cloth soaked in vinegar-water solution.
- After removing scale, polish the soleplate surface with a dry cloth.
- Do not use abrasive substances and solvents to clean the iron soleplate and body.
- Avoid contact of iron soleplate with sharp metal objects.

STORAGE

- Before you take the iron away for storage, clean it and drain all the remaining water from the water tank (10).
- Set the temperature control knob (11) to the «minimum» position, and the continuous steam supply knob (3) to the «0» position. (pic. 1).
- Wind the power cord on the iron base (8) (pic. 8).
- Store the iron vertically in a dry cool place, out of the reach of children.

DELIVERY SET

Iron – 1 pc.
Beaker – 1 pc.
Instruction manual – 1 pc.

TECHNICAL SPECIFICATIONS

Power supply: 220-240 V ~ 50 Hz
Maximal power consumption: 2500 W

The manufacturer preserves the right to change the specifications of the unit without a preliminary notification.

Unit operating life is 3 years



This product conforms to the EMC-Requirements as laid down by the Council Directive 2004/108/EC and to the Low Voltage Regulation (2006/95/EC)

DEUTSCH

- **Es ist nicht gestattet, das Bügeleisen nach seinem Sturz und bei sichtbaren Beschädigungen oder beim Wasserauslauf zu benutzen.**
- **Stellen Sie das Bügeleisen auf eine gerade standfeste Oberfläche auf oder benutzen Sie ein standsicheres Bügelbrett.**
- **Ziehen Sie den Netzstecker aus der Steckdose vor dem Auffüllen des Wasserbehälters mit Wasser immer heraus.**
- **Der Deckel der Einfüllöffnung soll beim Bügeln geschlossen sein.**
- **Achtung! Die Oberflächen des Bügeleisens erhitzen sich während des Betriebs. Lassen Sie Ihre Haut mit heißen Oberflächen des Bügeleisens oder austretendem Dampf in Berührung nicht kommen, um Verbrennungen zu vermeiden.**
- **Gießen Sie Wasser aus dem Behälter erst nach dem Abtrennen des Bügeleisens vom Stromnetz ab.**
- **Lassen Sie das ans Stromnetz angeschlossene Bügeleisen nie unbeaufsichtigt.**
- **Dieses Gerät ist nicht für Gebrauch von Kindern unter 8 Jahren geeignet.**
- **Während des Betriebs und des Abkühlens des Bügeleisens stellen Sie es an einem für Kinder unter 8 Jahren unzugänglichen Ort auf.**
- **Dieses Gerät darf von Kindern ab 8 Jahren alt und behinderten Personen erst dann genutzt werden, wenn Sie sich unter Aufsicht der Person befinden, die für ihre Sicherheit verantwortlich ist, ihnen entsprechende und verständliche Anweisungen über sichere Nutzung des Geräts und die Gefahren bei seiner falschen Nutzung gegeben hat.**

DAMPFBÜGELEISEN

Beschreibung

1. Wassersprüher
2. Deckel der Einfüllöffnung
3. Dampfregler
4. Dampfstoßtaste
5. Sprühtaste
6. Handgriff
7. Netzkabelschutz
8. Fußplatte
9. Betriebskontrolleuchte des Heizelements
10. Wasserbehälter
11. Temperaturregler
12. Selbstreinigungstaste «self-clean»
13. Maximale Wasserstandsmarke «max»
14. Sohle
15. Meßbecher

SICHERHEITSMABNAHMEN

Vor der ersten Inbetriebnahme des Elektrogeräts lesen Sie diese Bedienungsanleitung aufmerksam durch und bewahren Sie diese für weitere Referenz auf.

Benutzen Sie dieses Gerät nur bestimmungsmäßig und laut dieser Bedienungsanleitung. Nicht ordnungsgemäße Nutzung des Geräts kann zu seiner Störung führen, einen gesundheitlichen oder materiellen Schaden beim Nutzer hervorrufen.

- Vor dem Einschalten des Geräts vergewissern Sie sich, dass die Netzspannung und die Betriebsspannung des Bügeleisens übereinstimmen.
- Das Netzkabel ist mit einem „Eurostecker“ ausgestattet; schließen Sie diesen an die Steckdose mit sicherer Erdung an.
- Verwenden Sie keine Adapterstecker beim Anschließen des Geräts an das Stromnetz, um Brandrisiko zu vermeiden.
- Es ist nicht gestattet, mehrere Geräte mit hoher Aufnahmeleistung gleichzeitig einzuschalten, um die Überlastung des Stromnetzes zu vermeiden.
- Es ist nicht gestattet, Aromafüssigkeiten, Essig, Stärkelösung, Entkalkungsmittel, Chemikalien usw. in den Wasserbehälter einzugießen.
- Achten Sie darauf, dass das Netzkabel auf dem Bügelbrett nicht liegt, sowie heiße Oberflächen nicht berührt.
- Während der Betriebspausen stellen Sie das Bügeleisen auf die Fußplatte (senkrecht) auf.
- Vor dem Abtrennen/Anschließen des Bügeleisens ans Stromnetz stellen Sie den Temperaturregler in die minimale Position und schalten Sie die Dampfzufuhr aus.
- Trennen Sie das Bügeleisen vom Stromnetz immer ab, wenn Sie es nicht benutzen.

- Es ist nicht gestattet, das Netzkabel beim Abtrennen des Bügeleisens vom Stromnetz zu ziehen. Halten Sie den Stecker.
- Tauchen Sie das Bügeleisen ins Wasser oder andere Flüssigkeiten nicht, um Stromschlagrisiko zu vermeiden.
- Bevor das Bügeleisen wegzuräumen, lassen Sie es völlig abkühlen und gießen Sie das Restwasser ab.
- Es ist nicht gestattet, das Bügeleisen selbständig abzubauen, um Stromschläge zu vermeiden; wenden Sie sich bei der Feststellung von Beschädigungen nur an einen autorisierten (bevollmächtigten) Kundendienst.
- Aus Kindersicherheitsgründen lassen Sie die Plastiktüten, die als Verpackung verwendet werden, nie ohne Aufsicht.
- **Achtung!** Lassen Sie Kinder mit Plastiktüten oder Verpackungsfolien nicht spielen. **Erstickungsgefahr!**
- Es ist nicht gestattet, das Gerät den Kindern als Spielzeug zu geben.
- Bewahren Sie das Bügeleisen in senkrechter Lage an einem kühlen, trockenen und für Kinder und behinderte Personen unzugänglichen Ort auf.

DAS GERÄT IST NUR FÜR DEN GEBRAUCH IM HAUSHALT GEEIGNET

VOR DER ERSTEN INBETRIEBNAHME

Nachdem das Gerät unter niedrigen Temperaturen transportiert oder aufbewahrt wurde, lassen Sie es vor der Nutzung bei der Raumtemperatur für nicht weniger als zwei Stunden bleiben.

- Nehmen Sie das Bügeleisen aus der Verpackung heraus und entfernen Sie das Schutzmaterial (falls vorhanden) von der Sohle (14).
- Prüfen Sie die Ganzheit des Geräts; wenn Störungen auftreten, benutzen Sie das Bügeleisen nicht.
- Vergewissern Sie sich, dass die Netzspannung und die Betriebsspannung des Bügeleisens übereinstimmen.

FUNKTION DER AUTOMATISCHEN ABSCHALTUNG

In diesem Modell sind zwei Betriebe der automatischen Abschaltung des Bügeleisens vorgesehen.

1. Falls das Bügeleisen in horizontaler Position innerhalb von 30 Sekunden nicht betätigt wird, schaltet sich das Heizelement des Bügeleisens aus, dabei hören Sie die Tonsignale. Wenn das Bügeln fortgesetzt wird, schaltet sich das Bügeleisen automatisch ein.
2. Falls das Bügeleisen in senkrechter Position innerhalb von 8 Minuten nicht betätigt wird, schaltet sich das Heizelement des Bügeleisens aus, dabei hören Sie die Tonsignale. Wenn das Bügeln fort-

DEUTSCH

gesetzt wird, schaltet sich das Bügeleisen automatisch ein.

WAHL DES WASSERS

Füllen Sie das Bügeleisen mit Leitungswasser. Falls das Leitungswasser hart ist, mischen Sie es mit destilliertem Wasser in Verhältnis 1:1. Bei sehr hartem Wasser mischen Sie es mit destilliertem Wasser in Verhältnis 1:2 oder benutzen Sie nur destilliertes Wasser.

AUFFÜLLUNG DES WASSERBEHÄLTERS

Vergewissern Sie sich vor dem Auffüllen des Bügeleisens mit Wasser, dass es vom Stromnetz abgetrennt ist.

- Stellen Sie den Temperaturregler (11) in die Position «minimum» und den Dampfregler (3) in die Position „0“ (Abb. 1).
- Öffnen Sie den Deckel der Einfüllöffnung (2).
- Gießen Sie Wasser in den Wasserbehälter (10) ein, benutzen Sie dabei den Meßbecher (15) (Abb. 2) dann schließen Sie den Deckel (2) zu.

Anmerkungen:

- *Es ist nicht gestattet, Aromafüssigkeiten, Essig, Stärkelösung, Entkalkungsmittel, Chemikalien usw. in den Wasserbehälter (10) einzugießen.*
- *Es ist nicht gestattet, Wasser über die «max»-Wasserstandsmarke (13) einzugießen*
- *Wenn Sie Wasser während des Bügelns nachgießen müssen, schalten Sie zuerst das Bügeleisen aus und ziehen Sie den Netzstecker aus der Steckdose heraus.*

BÜGELTEMPERATUR

- Vor dem Bügeln beachten Sie immer das Etikett der Kleidung, woran die empfohlene Bügeltemperatur angegeben ist.
- Wenn das Etikett mit den Hinweisen zum Bügeln fehlt, kennen Sie aber den Stofftyp, so können Sie die Temperaturangaben fürs Bügeln aus der folgenden Tabelle nehmen:

Bezeichnungen der Bügeltemperatur	Stofftyp (Temperatur)
•	Synthesefaser, Nylon, Acryl, Polyester (niedrige Temperatur)
••	Seide/Wolle (mittlere Temperatur)
•••	Baumwolle/Leinen (hohe Temperatur)
max	Maximale Temperatur

- Die Tabelle ist nur für das Bügeln von glatten Stoffen verwendbar. Andere Stofftype (gaufriert,

geriffelt usw.) sollen am Besten bei niedriger Temperatur gebügelt werden.

- Zuerst sortieren Sie die Kleidungsstücke entsprechend der Bügeltemperatur aus: Synthefaser zur Synthefaser, Wolle zur Wolle, Baumwolle zur Baumwolle usw.
- Das Bügeleisen wird schneller aufgeheizt als abgekühlt. Aus diesem Grund ist es empfohlen, die Kleidung, die niedrige Bügeltemperatur erfordert (z.B. synthetische Stoffe), zuerst zu bügeln.
- Danach übergehen Sie auch zum Bügeln bei höheren Temperaturen (Seide, Wolle). Kleidungsstücke aus Baumwolle und Leinen sollen zuletzt gebügelt werden.
- Wenn ein Kleidungsstück aus Mischfaserstoff gemacht ist, soll die niedrigste Bügeltemperatur eingestellt werden (z.B. wenn das Kleidungsstück aus Akryl und Baumwolle besteht, so soll es bei der Temperatur gebügelt werden, die für Akryl geeignet ist «••»).
- Wenn Sie den Stofftyp des Kleidungsstücks nicht feststellen können, finden Sie daran eine beim Tragen unbemerkbare Stelle, und wählen Sie die Bügeltemperatur versuchsweise aus (fangen Sie immer mit der niedrigsten Bügeltemperatur an und erhöhen Sie diese allmählich, bis das gewünschte Ergebnis erreicht wird).
- Kordsamt und andere Stoffe, die sehr schnell zu glänzen beginnen, sollen unter leichtem Druck streng in einer Richtung (mit dem Strich) gebügelt werden.
- Um die Entstehung von Glanzflecken auf den synthetischen und seidenen Stoffen zu vermeiden, bügeln Sie diese von der Innenseite aus.

EINSTELLEN DER BÜGELTEMPERATUR

- Stellen Sie das Bügeleisen auf die Fußplatte (8) auf.
- Stecken Sie den Netzstecker in die Steckdose ein.
- Stellen Sie die erforderliche Bügeltemperatur mit dem Regler (11): «••», «•••», «••••» oder «max» (Abb. 3), abhängig vom Stofftyp, ein, dabei wird die Betriebskontrolleuchte (9) leuchten.
- Wenn die Temperatur der Sohle (14) das vorgewählte Niveau erreicht und die Betriebskontrolleuchte (9) erlischt, können Sie zum Bügeln übergehen.

Anmerkung:

- *Das Heizelement verbrennt beim ersten Einschalten des Bügeleisens, das kann zur Entstehung vom Fremdgeruch und einer kleinen Menge Rauch führen, es ist normal.*

WASSERSPRÜHER

- Sie können den Stoff anfeuchten, indem Sie die Sprühtaste (5) einige Male drücken (Abb. 4).

- Vergewissern Sie sich, dass es genug Wasser im Wasserbehälter (10) gibt.

TROCKENBÜGELN

- Stellen Sie das Bügeleisen auf die Fußplatte (8) auf.
- Stecken Sie den Netzstecker in die Steckdose ein.
- Stellen Sie die erforderliche Bügeltemperatur mit dem Regler (11): «*», «**», «***» oder «max» (Abb. 3), abhängig vom Stofftyp, ein, dabei leuchtet die Betriebskontrolleuchte (9) auf.
- Stellen Sie den Dampfregler (3) in die Position «0» (Dampfzufuhr ist ausgeschaltet) (Abb. 1).
- Wenn die Temperatur der Sohle das vorgewählte Niveau erreicht und die Betriebskontrolleuchte (9) erlischt, können Sie zum Bügeln übergehen.
- Nach der Nutzung des Bügeleisens stellen Sie den Temperaturregler (11) in die Position «minimum».
- Ziehen Sie den Netzstecker aus der Steckdose heraus und warten Sie ab, bis das Bügeleisen völlig abgekühlt ist.

DAMPFBÜGELN

Das Dampf bügeln ist möglich, wenn der Temperaturregler (11) in die Position «**», «***» oder «max» eingestellt ist.

Das Bügeleisen ist mit einem Tropfschutzventil ausgestattet, das die Wasserzufuhr bei einer zu niedrigen Sohlentemperatur unterbricht. Dies verhindert das Tropfen aus den Öffnungen der Sohle (14) des Bügeleisens. Beim Erhitzen und Abkühlen der Bügeleisensohle können Sie typische Knacke der Eröffnung/Schließung des Tropfschutzventils hören, was auf seinen normalen Betrieb deutet.

- Stellen Sie das Bügeleisen auf die Fußplatte (8) auf.
- Stecken Sie den Netzstecker in die Steckdose ein.
- Vergewissern Sie sich, dass es genug Wasser im Wasserbehälter (10) gibt.
- Stellen Sie die gewünschte Bügeltemperatur mit dem Regler (11): - „**“, „***“ oder „max“ ein, dabei leuchtet die Betriebskontrolleuchte (9) auf.
- Wenn die Temperatur der Sohle (14) das vorgewählte Niveau erreicht und die Betriebskontrolleuchte (9) erlischt, können Sie zum Bügeln übergehen.
- Stellen Sie die notwendige Dampfintensität mittels des Dampfreglers (3) ein.
- Im Betrieb der konstanten Dampfzufuhr tritt der Dampf aus den Öffnungen der Sohle (14) nur in horizontaler Position des Bügeleisens aus. Um die Dampfzufuhr zu unterbrechen, stellen Sie das Bügeleisen in die senkrechte Position oder stellen Sie den Dampfregler (3) in die Position „0“ um.
- Nach der Nutzung des Bügeleisens stellen Sie den Temperaturregler (11) in die Position «mini-

um» und den Dampfregler (3) - in die Position „0“ (Abb. 1).

- Ziehen Sie den Netzstecker aus der Steckdose heraus und warten Sie ab, bis das Bügeleisen abkühlt.

ACHTUNG!

Wenn keine konstante Dampfzufuhr während des Gerätebetriebs erfolgt, prüfen Sie, ob der Temperaturregler (11) und der Dampfregler (3) richtig eingestellt sind und vergewissern Sie sich, dass es genug Wasser im Wasserbehälter (10) gibt.

DAMPFSTOß

Die Dampfstoß-Funktion ist fürs Falten glätten geeignet und kann nur bei der hohen Bügeltemperatur verwendet werden (wenn der Temperaturregler (11) in die Position «max» eingestellt ist).

Beim Drücken der Dampfstoßtaste (4) tritt der Dampf aus der Bügeleisensohle intensiv aus (Abb. 5).

Anmerkung: Um das Auslaufen des Wassers aus den Dampföffnungen zu vermeiden, drücken Sie die Dampfstoßtaste (4) mit dem Intervall von 4-5 Sekunden.

VERTIKALDAMPFEN

Die Vertikaldampf-Funktion kann nur bei der hohen Bügeltemperatur verwendet werden (wenn der Temperaturregler (11) in die Position «max» eingestellt ist). Warten Sie ab, bis die Bügeleisensohle erwärmt wird, halten Sie das Bügeleisen senkrecht 10-30 cm von der Kleidung entfernt und drücken Sie die Dampfstoßtaste (4) mit dem Intervall von 4-5 Sekunden, der Dampf wird aus der Bügeleisensohle intensiv austreten (Abb. 6). Um die Wassertropfenbildung zu vermeiden, führen Sie das Vertikaldampfen während der Erwärmung der Bügeleisensohle nicht aus (dabei leuchtet die Betriebskontrolleuchte (9)).

Wichtige Information

- Es ist nicht empfohlen, das Vertikaldampfen für synthetische Stoffe zu verwenden.
- Es ist nicht gestattet, beim Dampfen mit der Sohle den Stoff zu berühren, um sein Brennen zu vermeiden.
- Es ist nicht gestattet, die an einem Menschen angezogene Kleidung abzudampfen, weil die Temperatur des austretenden Dampfes sehr hoch ist; benutzen Sie Kleiderbügel oder Aufhängebügel.
- Schalten Sie das Bügeleisen nach dem Bügeln aus, lassen Sie es völlig abkühlen, danach öffnen Sie den Deckel der Einfüllöffnung (2), kippen Sie das Bügeleisen um und gießen Sie Restwasser aus.

REINIGUNG DER DAMPFKAMMER

DEUTSCH

Für die Verlängerung der Nutzungsdauer des Bügeleisens ist es empfohlen, die Reinigung der Dampfkammer regelmäßig durchzuführen, besonders in den Regionen mit „hartem“ Leitungswasser.

- Stellen Sie den Dampfgregler (3) in die Position „0“ ein (Abb. 1).
- Füllen Sie den Wasserbehälter (10) mit Wasser bis zur „max“-Wasserstandsmarke (13) auf.

Anmerkung: *Es ist nicht gestattet, Aromafüssigkeiten, Essig, Stärkelösung, Entkalkungsmittel, Chemikalien usw. in den Wasserbehälter einzugießen.*

- Stellen Sie das Bügeleisen auf die Fußplatte (8) auf.
- Stecken Sie den Netzstecker in die Steckdose ein.
- Stellen Sie die maximale Sohlentemperatur „max“ mit dem Regler (11) dabei wird die Betriebskontrollleuchte (9) leuchten.
- Wenn die Temperatur der Bügeleisensohle (14) das vorgewählte Niveau erreicht, erlischt die Betriebskontrollleuchte (9). Warten Sie ab, bis die Sohle des Bügeleisens nochmals erwärmt wird, danach können Sie zur Reinigung der Dampfkammer übergehen.
- Ziehen Sie den Netzstecker aus der Steckdose heraus.
- Stellen Sie das Bügeleisen in horizontaler Position über dem Waschbecken auf, drücken und halten Sie die Selbstreinigungstaste «self-clean» (12) (Abb. 7).
- Kochendes Wasser und Dampf werden zusammen mit dem Kalk aus den Öffnungen der Sohle (14) austreten.
- Schaukeln Sie das Bügeleisen etwas hin und her, bis das Wasser aus dem Wasserbehälter (10) völlig entfernt wird.
- Stellen Sie das Bügeleisen auf die Fußplatte (8) und lassen Sie es vollständig abkühlen.
- Nachdem die Bügeleisensohle (14) vollständig abgekühlt ist, wischen Sie diese mit einem trockenen Tuch ab.
- Bevor Sie das Bügeleisen zur Aufbewahrung wegpacken, vergewissern Sie sich, dass kein Wasser im Wasserbehälter (10) übrig geblieben ist und die Sohle (14) trocken ist.

REINIGUNG UND PFLEGE

- Vergewissern Sie sich vor der Reinigung des Bügeleisens, dass es vom Stromnetz abgetrennt und schon abgekühlt ist.
- Wischen Sie das Gehäuse des Bügeleisens mit einem leicht angefeuchteten Tuch, danach trocknen Sie es ab.
- Die Kalkablagerungen an der Sohle können Sie mit einem Stoff abwischen, der mit Wasser-Essig-Lösung angefeuchtet ist.

- Polieren Sie die Sohle des Bügeleisens mit einem trockenen Tuch nach der Entfernung der Kalkablagerungen.
- Es ist nicht gestattet, Abrasiv- und Lösungsmittel für die Reinigung der Sohle und des Gehäuses des Bügeleisens zu benutzen.
- Vermeiden Sie den Kontakt der Sohle mit scharfen Metallgegenständen.

AUFBEWAHRUNG

- Bevor Sie das Bügeleisen zur Aufbewahrung wegpacken, reinigen Sie es, entfernen Sie das Restwasser aus dem Behälter (10).
- Stellen Sie den Temperaturregler (11) in die Position «minimum» und den Dampfgregler (3) in die Position „0“ (Abb. 1).
- Wickeln Sie das Netzkabel auf die Fußplatte (8) des Bügeleisens auf (Abb. 8).
- Bewahren Sie das Bügeleisen senkrecht in einem kühlen, trockenen und für Kinder unzugänglichen Ort auf.

LIEFERUMFANG

Bügeleisen – 1 St.
Meßbecher – 1 St.
Bedienungsanleitung – 1 St.

TECHNISCHE EIGENSCHAFTEN

Stromversorgung: 220-240 V ~ 50 Hz
Maximale Aufnahmeleistung: 2500 W

Der Hersteller behält sich das Recht vor, Design und technische Eigenschaften des Geräts ohne Vorbenachrichtigung zu verändern.

Nutzungsdauer des Geräts beträgt 3 Jahre

Gewährleistung

Ausführliche Bedingungen der Gewährleistung kann man beim Dealer, der diese Geräte verkauft hat, bekommen. Bei beliebiger Anspruchserhebung soll man während der Laufzeit der vorliegenden Gewährleistung den Check oder die Quittung über den Ankauf vorzulegen.



Das vorliegende Produkt entspricht den Forderungen der elektromagnetischen Verträglichkeit, die in 2004/108/EC - Richtlinie des Rates und den Vorschriften 2006/95/EC über die Niederspannungsgeräte vorge-sehen sind.

- **Не пользуйтесь утюгом после его падения, при наличии видимых повреждений или в случае протекания.**
- **Ставьте утюг на ровную, устойчивую поверхность или пользуйтесь устойчивой гладильной доской.**
- **При наполнении резервуара водой всегда вынимайте вилку сетевого шнура из розетки.**
- **Крышка заливочного отверстия должна быть закрыта во время глажения.**
- **Внимание! Поверхности утюга нагреваются во время работы. Избегайте контакта открытых участков кожи с горячими поверхностями утюга или выходящим паром, чтобы избежать ожогов.**
- **Сливайте воду из резервуара только после отключения утюга от сети.**
- **Не оставляйте подключенный к сети утюг без присмотра.**
- **Данное устройство не предназначено для использования детьми младше 8 лет.**
- **Устанавливайте устройство во время работы и остывания в месте недоступном для детей младше 8 лет.**
- **Дети старше 8 лет и люди с ограниченными возможностями могут пользоваться устройством, только если они находятся под присмотром лица, отвечающего за их безопасность, а также, если им были даны соответствующие и понятные инструкции о безопасном использовании устройства и техпоследствиях, которые могут возникать при его неправильном пользовании.**

РУССКИЙ

ПАРОВОЙ УТЮГ

Описание

1. Сопло разбрызгивателя воды
2. Крышка заливочного отверстия
3. Регулятор постоянной подачи пара
4. Клавиша дополнительной подачи пара
5. Клавиша разбрызгивателя воды
6. Ручка
7. Защита сетевого шнура
8. Основание утюга
9. Индикатор включения/выключения нагревательного элемента
10. Резервуар для воды
11. Регулятор температуры
12. Кнопка режима самоочистки «self-clean»
13. Указатель максимального уровня воды «max»
14. Подошва утюга
15. Мерный стаканчик

МЕРЫ БЕЗОПАСНОСТИ

Перед началом эксплуатации электроприбора внимательно прочитайте настоящее руководство по эксплуатации и сохраните его для использования в качестве справочного материала.

Используйте устройство только по его прямому назначению, как изложено в данном руководстве. Неправильное обращение с прибором может привести к его поломке, причинению вреда пользователю или его имуществу.

- Перед включением убедитесь, что напряжение в сети соответствует рабочему напряжению утюга.
- Сетевой шнур снабжен «евровилкой»; включайте ее в розетку, имеющую надежный контакт заземления.
- Во избежание риска возникновения пожара не используйте переходники при подключении прибора к электрической розетке.
- Во избежание перегрузки электрической сети не включайте одновременно несколько устройств с большой потребляемой мощностью.
- Запрещается заливать в резервуар для воды ароматизирующие жидкости, уксус, раствор крахмала, реагенты для удаления накипи, химические вещества и т.д.
- Следите, чтобы сетевой шнур не находился на гладильной доске, а также не касался горячих поверхностей.
- В перерывах во время работе устанавливайте утюг на основание (в вертикальное положение).
- Перед отключением/подключением утюга к электрической сети установите регулятор температуры в минимальное положение и отключите подачу постоянного пара.

- Всегда отключайте утюг от сети, если Вы им не пользуетесь.
- При отключении утюга от электрической сети всегда держитесь за сетевую вилку, никогда не тяните за сетевой шнур.
- Чтобы избежать поражения электрическим током, не погружайте утюг, сетевой шнур и вилку сетевого шнура в воду или в любые другие жидкости.
- Перед тем как убрать утюг, дайте ему полностью остыть и слейте остатки воды.
- Во избежание поражения электрическим током никогда не разбирайте утюг самостоятельно; при обнаружении неисправности обращайтесь только в авторизованный сервисный центр.
- Из соображений безопасности детей не оставляйте полиэтиленовые пакеты, используемые в качестве упаковки, без надзора.
- **Внимание!** Не разрешайте детям играть с полиэтиленовыми пакетами или пленкой. **Опасность удушья!**
- Не разрешайте детям использовать утюг в качестве игрушки.
- Храните утюг в вертикальном положении в сухом прохладном месте, недоступном для детей и людей с ограниченными возможностями.

УСТРОЙСТВО ПРЕДНАЗНАЧЕНО ТОЛЬКО ДЛЯ БЫТОВОГО ИСПОЛЬЗОВАНИЯ

ПЕРЕД ПЕРВЫМ ИСПОЛЬЗОВАНИЕМ

После транспортировки или хранения устройства при пониженной температуре необходимо выдержать его при комнатной температуре не менее двух часов.

- Извлеките утюг из упаковки, при наличии защиты на подошве (14) удалите защиту.
- Проверьте целостность устройства, при наличии повреждений не пользуйтесь утюгом.
- Убедитесь в том, что напряжение в электрической сети соответствует рабочему напряжению утюга.

ФУНКЦИЯ АВТООТКЛЮЧЕНИЯ

В данной модели предусмотрены два режима автоматического отключения утюга.

1. Если утюг в горизонтальном положении будет неподвижным в течение 30 секунд, то нагревательный элемент утюга отключится, при этом вы услышите звуковые сигналы. После возобновления процесса глажения утюг автоматически включится.
2. Если утюг в вертикальном положении будет неподвижным в течение 8 минут, нагревательный элемент утюга отключится, при этом вы

услышите звуковые сигналы. После возобновления процесса глажения утюг автоматически включится.

ВЫБОР ВОДЫ

Для наполнения резервуара используйте водопроводную воду. Если водопроводная вода жёсткая, рекомендуется смешивать её с дистиллированной водой в соотношении 1:1, при очень жёсткой воде смешивайте её с дистиллированной водой в соотношении 1:2 или используйте только дистиллированную воду.

НАПОЛНЕНИЕ РЕЗЕРВУАРА ДЛЯ ВОДЫ

Прежде чем залить воду в утюг, убедитесь в том, что он отключен от сети.

- Установите регулятор температуры (11) в положение «minimum», а регулятор постоянной подачи пара (3) в положение «0» (рис. 1).
- Откройте крышку заливочного отверстия (2).
- Используя мерный стаканчик (15), залейте воду в резервуар (10) (рис. 2), затем закройте крышку (2).

Примечания:

- *Запрещается заливать в резервуар для воды (10) ароматизированные жидкости, уксус, раствор крахмала, реагенты для удаления накипи, химические вещества и т.п.*
- *Не наливайте воду выше отметки «max» (13).*
- *Если во время глажения необходимо долить воду, то сначала следует отключить утюг и вынуть вилку сетевого шнура из розетки.*

ТЕМПЕРАТУРА ГЛАЖЕНИЯ

- Всякий раз перед глажением вещей смотрите на ярлык изделия, где указана рекомендуемая температура глажения.
- Если ярлык с указаниями по глажению отсутствует, но вы знаете тип материала, то для выбора температуры глажения пользуйтесь таблицей.

Обозначения температуры глажения	Тип ткани (температура)
.	Синтетика, нейлон, акрил, полиэстер (низкая температура)
..	Шёлк/шерсть (средняя температура)
...	Хлопок, лён (высокая температура)
max	Максимальная температура

- Таблица применима только для гладких материалов. Если материал другого типа (гофрированный, рельефный и т.д.), то лучше всего его гладить при низкой температуре.
- Сначала отсортируйте вещи по температуре глажения: синтетику - к синтетике, шерсть - к шерсти, хлопок - к хлопку и т.д.
- Утюг нагревается быстрее, чем остывает. Поэтому сначала рекомендуется гладить вещи при низкой температуре (например, синтетические ткани).
- Затем переходите к глажению при более высоких температурах (шёлк, шерсть). Изделия из хлопка и льна следует гладить в последнюю очередь.
- Если в состав ткани входят смесовые волокна, то необходимо установить самую низкую температуру глажения (например, если изделие состоит из акрила и хлопка, то его следует гладить при температуре, подходящей для акрила «*»).
- Если Вы не можете определить состав ткани, то найдите на изделии место, которое не бросается в глаза при носке, и опытным путём выберите температуру глажения (всегда начинайте с самой низкой температуры и постепенно повышайте её, пока не добьётесь желаемого результата).
- Вельветовые и другие ткани, которые быстро начинают лосниться, следует гладить строго в одном направлении (в направлении ворса) с небольшим нажимом.
- Чтобы избежать появления лоснящихся пятен на синтетических и шелковых тканях, их следует гладить с изнаночной стороны.

УСТАНОВКА ТЕМПЕРАТУРЫ ГЛАЖЕНИЯ

- Поставьте утюг на основание (8).
- Вставьте вилку сетевого шнура в электрическую розетку.
- Поворотом регулятора (11) установите требуемую температуру глажения: «*», «**», «***» или «max» (рис. 3), в зависимости от типа ткани, при этом загорится индикатор (9).
- Когда подошва утюга (14) нагреется до установленной температуры, индикатор (9) погаснет, можно приступать к глажению.

Примечание:

- *При первом включении нагревательный элемент утюга обгорает, поэтому возможно появление постороннего запаха и небольшого количества дыма, это нормальное явление.*

РАЗБРЫЗГИВАТЕЛЬ ВОДЫ

- Вы можете увлажнить ткань, нажав несколько раз на клавишу разбрызгивателя (5) (рис. 4).

РУССКИЙ

- Убедитесь, что в резервуаре (10) достаточно воды.

СУХОЕ ГЛАЖЕНИЕ

- Поставьте утюг на основание (8).
- Вставьте вилку сетевого шнура в электрическую розетку.
- Поворотом регулятора (11) установите требуемую температуру глажения: «•», «••», «•••» или «max» (рис. 3) в зависимости от типа ткани, при этом загорится индикатор (9).
- Установите регулятор постоянной подачи пара (3) в положение «0» (постоянная подача пара выключена) (рис. 1).
- Когда температура подошвы утюга достигнет заданного значения, индикатор (9) погаснет, можно приступать к глажению.
- После использования утюга установите регулятор температуры (11) в положение «minimum».
- Извлеките вилку сетевого шнура из розетки и дождитесь полного остывания утюга.

ПАРОВОЕ ГЛАЖЕНИЕ

Паровое глажения возможно только при установке регулятора температуры (11) в положение «••», «•••» или «max».

Утюг снабжен противокapelным клапаном, который закрывает подачу воды при слишком низкой температуре подошвы утюга, это предотвращает появление capел из отверстий подошвы утюга (14). При нагревании и остывании подошвы утюга можно услышать характерные щелчки открывания/закрывания противокapelного клапана, что свидетельствует о его нормальной работе.

- Поставьте утюг на основание (8).
- Вставьте вилку сетевого шнура в электрическую розетку.
- Убедитесь в том, что в резервуаре (10) достаточно воды.
- Поворотом регулятора (11) установите требуемую температуру глажения: «••», «•••» или «max», при этом загорится индикатор (9).
- Когда подошва утюга (14) нагреется до заданной температуры, индикатор (9) погаснет, можно приступать к глажению.
- Регулятором постоянной подачи пара (3) установите необходимую интенсивность паробразования.
- В режиме постоянной подачи пара пар из отверстий подошвы (14) будет выходить только в горизонтальном положении утюга. Для прекращения подачи пара установите утюг в вертикальное положение и переведите регулятор постоянной подачи пара (3) в положение «0».
- После использования утюга установите регулятор температуры (11) в положение

- «minimum», а регулятор постоянной подачи пара (3) - в положение «0» (рис. 1).
- Извлеките вилку сетевого шнура из электрической розетки и дождитесь полного остывания утюга.

ВНИМАНИЕ!

Если во время работы не происходит постоянной подачи пара, проверьте правильность положения регулятора температуры (11), правильность положения регулятора постоянной подачи пара (3) и убедитесь в том, что в резервуаре (10) достаточно воды.

ДОПОЛНИТЕЛЬНАЯ ПОДАЧА ПАРА

Функция дополнительной подачи пара полезна при разглаживании складок и может быть использована только при высокотемпературном режиме глажения (когда регулятор температуры (11) находится в положении «max»).

При нажатии на клавишу дополнительной подачи пара (4) из подошвы утюга будет интенсивно выходить пар (рис. 5).

Примечание: Во избежание вытекания воды из паровых отверстий нажимайте клавишу дополнительной подачи пара (4) с интервалом в 4-5 секунд.

ВЕРТИКАЛЬНОЕ ОТПАРИВАНИЕ

Функция вертикального отпаривания может быть использована только при высокотемпературном режиме глажения (когда регулятор температуры (11) находится в положении «max»).

Дождитесь разогрева подошвы утюга, держите утюг вертикально в 10-30 см от одежды и нажимайте клавишу дополнительной подачи пара (4) с интервалом в 4-5 секунд, пар будет интенсивно выходить из отверстий подошвы утюга (рис. 6). Во избежание образования capел воды, не проводите вертикальное отпаривание в момент нагрева подошвы утюга (в это время горит индикатор (9)).

Важная информация

- Не рекомендуется выполнять вертикальное отпаривание синтетических тканей.
- При отпаривании не прикасайтесь подошвой утюга к материалу, чтобы избежать его оплавления.
- Никогда не отпаривайте одежду, уже надетую на человека, т.к. температура выходящего пара очень высокая, пользуйтесь плечиками или вешалкой.
- Закончив гладить, выключите утюг, дождитесь его полного остывания, после чего откройте крышку заливочного отверстия (2), переверните утюг и слейте остатки воды.

ОЧИСТКА ПАРОВОЙ КАМЕРЫ

Для увеличения срока службы утюга рекомендует-ся регулярно выполнять очистку паровой камеры, особенно в регионах с «жесткой» водопроводной водой.

- Установите регулятор постоянной подачи пара (3) в положение «0» (рис. 1).
- Наполните резервуар (10) водой до отметки «max» (13) (рис. 2).
- **Примечание:** *Запрещается заливать в резервуар для воды ароматизирующие жидкости, уксус, раствор крахмала, реагенты для удаления накипи, химические вещества и т.д.*
- Поставьте утюг на основание (8).
- Вставьте вилку сетевого шнура в электриче-скую розетку.
- Поворотом регулятора (11) установите макси-мальную температуру нагрева подошвы утюга «max», при этом загорится индикатор (9).
- Когда подошва утюга (14) нагреется до уста-новленной температуры, индикатор (9) погаснет. Дождитесь повторного разогрева подошвы утюга, после этого можно проводить очистку паровой камеры.
- Извлеките вилку сетевого шнура из электри-ческой розетки.
- Расположите утюг горизонтально над рако-виной, нажмите и удерживайте кнопку «self-
clean» (12) (рис. 7).
- Кипящая вода и пар вместе с накипью будут выходить из отверстий подошвы утюга (14).
- Слегка покачивайте утюг вперед-назад, пока вся вода не выйдет из резервуара (10).
- Поставьте утюг на основание (8) и дайте ему полностью остыть.
- Когда подошва утюга (14) полностью остынет, протрите её кусочком сухой ткани.
- Прежде чем убрать утюг на хранение, убедитесь в том, что в резервуаре (10) нет воды, а подошва утюга (14) сухая.

УХОД И ЧИСТКА

- Прежде чем чистить утюг, убедитесь в том, что он отключен от сети и уже остыл.
- Протрите корпус утюга слегка влажной тканью, после этого вытрите его насухо.
- Отложения на подошве утюга могут быть уда-лены тканью, смоченной в водно-уксусном растворе.
- После удаления отложений протрите поверх-ность подошвы сухой тканью.
- Не используйте для чистки подошвы и корпуса утюга абразивные чистящие средства и рас-творители.
- Избегайте контакта подошвы утюга с острыми металлическими предметами.

ХРАНЕНИЕ

- Прежде чем убрать утюг на хранение, про-ведите его чистку, удалите остатки воды из резервуара (10).
- Установите регулятор температуры (11) в положение «minimum», а регулятор постоян-ной подачи пара (3) в положение «0» (рис. 1).
- Намотайте сетевой шнур на основание утюга (8) (рис. 8).
- Храните утюг в вертикальном положении в сухом прохладном месте, недоступном для детей.

КОМПЛЕКТ ПОСТАВКИ

Утюг – 1 шт.
Мерный стаканчик – 1шт.
Инструкция – 1 шт.

ТЕХНИЧЕСКИЕ ХАРАКТЕРИСТИКИ

Электропитание: 220-240 В ~ 50 Гц
Максимальная потребляемая мощность: 2500 Вт

Производитель оставляет за собой право изме-нять характеристики прибора без предваритель-ного уведомления.

Срок службы прибора - 3 года



Данное изделие соответствует всем требуемым европейским и российским стандартам безопасности и гигиены.

Производитель: АН-ДЕР ПРОДАКТС ГмБХ, Ав-стрия
Нойбаугюртель 38/7А, 1070 Вена, Австрия
Сделано в Китае.

ҚАЗАҚША

- Үтік құлағаннан кейін, көзге көрінетін бүлінулері болған жағдайда немесе суы ағып тұрған кезде оны пайдаланбаңыз.
- Үтікті жазық тұрақты бетке қойыңыз немесе тұрақты үтіктеу тақтасын пайдаланыңыз.
- Сауытты суға толтырған кезде, әрқашан желілік баудың айыртетігін электрлік ашалықтан ажыратыңыз.
- Суды толтыруға арналған саңылаудың қақпағы үтіктеу уақытында жабық болуы керек.
- Назар аударыңыз! Жұмыс істеу уақытында үтіктің беттері қызады. Күйікке шалдығуды болдырмау үшін терінің ашық жерлерінің үтіктің ыстық беттерімен немесе шығып жатқан бумен түйісуін болдырмаңыз.
- Үтікті электржеліден ажыратқаннан кейін ғана суды сауыттан төгіңіз.
- Электржелісіне қосулы тұрған үтікті қараусыз қалдырмаңыз.
- Берілген құрылғы 8 жасқа жетпеген балалардың пайдалануына арналмаған.
- Үтік жұмыс істеген және салқындаған кезде 8 жасқа жетпеген балалардың қолы жетпейтін жерде орналастырыңыз.
- 8 жастан асқан балалар және мүмкіндіктері адамдар, олардың қауіпсіздігіне жауап беретін адамның қадағалауымен, оларға қауіпсіз пайдалану туралы тиісті және түсінікті нұсқаулықтар мен құрылғыны дұрыс пайдаланбаған жағдайда пайда болуы мүмкін қауіптер туралы түсінік берілген жағдайда ғана мүмкін.

БУЛЫ ҮТІК

Суреттемесі

1. Су шашыратқыш шүмегі
2. Су құятын саңылаудың қақпағы
3. Тұрақты бу жіберу реттегіші
4. Қосымша бу жіберу пернесі
5. Су шашыратқыш пернесі
6. Тұтқа
7. Желілік шнурдың қорғанышы
8. Үтіктің түбі
9. Қыздырғыш элементті қосу/сөндіру көрсеткіші
10. Су резервуары
11. Температура реттегіші
12. Өзін өзі тазарту режимінің түймесі «self-clean»
13. Максималды су деңгейінің көрсеткіші «max»
14. Үтіктің табаны
15. Өлшеуіш стақан

ҚАУІПСІЗДІК ШАРАЛАРЫ

Электраспапты пайдаланбас бұрын, осы пайдалану нұсқаулығын мұқият оқып шығыңыз да, оны анықтамалық материал ретінде пайдалану үшін сақтап қойыңыз. Құрылғыны осы нұсқаулықта баяндалғандай тікелей мақсаты бойынша ғана пайдаланыңыз. Аспапты дұрыс қолданбау оның бұзылуына және пайдаланушыға немесе оның мүлкіне зиян келтіруге әкеп соғуы мүмкін.

- Алғашқы іске қосу алдында, электр желісіндегі кернеу құрылғының жұмыс істеу кернеуіне сәйкес келетініне көз жеткізіңіз.
- Желілік шнур «еуроайыртетікпен» жабдықталған; «еуроайыртетікті» жерге сенімді қосылған байланысы бар электр розеткасына қосыңыз.
- Өрттің пайда болу тәуекелін болдырмас үшін құрылғыны электрлік розеткаға қосқан кезде өткізуші тоқ құралдарын пайдаланбаңыз.
- Электр желісіндегі жүк шамадан асып кетпеуі үшін көп қуатты тұтынатын бірнеше құрылғыны үтікпен бір мезгілде қоспаңыз.
- Су құюға арналған сауытқа хошистендіргіш сұйықтықтарды, сірке суын, крахмал ерітіндісін, қақтарды кетіруге арналған реагенттерді, химиялық заттарды және т.б. құюға тыйым салынады.
- Желілік баудың үтіктеу тақтасында тұрмауын және ыстық беттерге жанаспауын қадағалаңыз.
- Жұмыс уақытындағы үзілістер уақытында үтікті (тік күйінде) негізіне орнатыңыз.
- Үтікті электр желісіне қосу/сөндіру алдында температура реттегішін минималды күйіне және үнемі бу беру реттегішін сөндіру қажет.
- Егер сіз үтікті пайдаланбасаңыз, әрқашан үтікті желіден ажыратыңыз.

- Үтікті электр желісінен сөндірген кезде әрқашан желілік айыр тетіктен ұстаңыз, ешқашан желілік баудан тартпаңыз.
- Электр тоғы соққысын болдырмау үшін, үтікті, желілік баудың айыртетігін және желілік бауды суға немесе кез-келген басқа сұйықтыққа батырмаңыз.
- Үтікті жинап қоюға дейін судың қалдығын төгіңіз және оған толық салқындауға уақыт беріңіз.
- Электр тоғының соғуын болдырмас үшін үтікті ешқашан өз бетіңізбен ашпаңыз; ақау табылған жағдайда тек туындылас (өкілетті) қызмет көрсету орталығына апарыңыз.
- Балалардың қауіпсіздігі мақсатында орау ретінде пайдаланылатын полиэтилен қаптарды қараусыз қалдырмаңыз.
- **Назар аударыңыз!** Балаларға полиэтилен пакеттермен немесе қаптама үлдірмен ойнауға рұқсат бермеңіз. **Тұншығу қаупі!**
- Үтікті балаларға ойыншық ретінде пайдалануға рұқсат бермеңіз.
- Үтікті тік күйінде құрғақ, салқын, балалардың қолы жетпейтін жерде сақтаңыз.

ҚҰРЫЛҒЫ ТЕК ТҰРМЫСТЫҚ ЖАҒДАЙДА ПАЙДАЛАНУҒА АРНАЛҒАН

АЛҒАШҚЫ ПАЙДАЛАНАР АЛДЫНДА

Құрылғыны төменгі температурада тасымалдағаннан немесе сақтағаннан кейін, оны бөлмелік температурада кемінде екі сағат уақыт бойы ұстау керек.

- Үтікті қораптан шығарып алыңыз, табанында қорғаныш қабаты (14) болса, онда оны алып тастаңыз.
- Құрылғының бүтіндігін тексеріңіз, бүлінген жерлері болған кезде үтікті пайдаланбаңыз.
- Электр желісінің кернеуі үтіктің жұмыс кернеуіне сәйкес келетіндігін тексеріп алыңыз.

АВТО ТҮРДЕ АЖЫРАТУ ҚЫЗМЕТІ

Бұл модельде үтікті автоматты түрде ажыратудың екі режимі қарастырылған.

1. Егер үтік көлденең күйде 30 секунд бойы қозғалмай тұрса, онда үтіктің қыздырғыш элементі ажыратылады, бұл кезде дыбыстық белгі естіледі. Үтіктеу процесін қайта жалғастырылған кезде үтік автоматты түрде қосылады.
2. Егер үтік тік күйде 8 минут бойы қозғалмай тұрса, онда үтіктің қыздырғыш элементі ажыратылады, бұл кезде дыбыстық белгі естіледі. Үтіктеу процесін қайта жалғастырылған кезде үтік автоматты түрде қосылады.

ҚАЗАҚША

СУДЫ ТАҢДАУ

Резервуарды толтыру үшін суқұбырындағы суды пайдаланыңыз. Егер суқұбырындағы су кермек болса, онда оны тазартылған сумен 1:1 арақатынасы бойынша араластырыңыз, су өте кермек болған кезде оны тазартылған сумен 1:2 арақатынасы бойынша араластырыңыз немесе тек тазартылған суды пайдаланыңыз.

СУҒА АРНАЛҒАН РЕЗЕРВУАРДЫ ТОЛТЫРУ

Суды үтіктің ішіне құймас бұрын, оның желіден ажыратулы тұрғанын тексеріп алыңыз.

- Температура реттегішін (11) «minimum» күйіне, ал тұрақты бу жіберу реттегішін (3) «0» күйіне (1-сур.) орнатыңыз.
- Су құю саңылауының қақпағын (2) ашыңыз.
- Өлшеуіш стақанды (15) пайдаланып, резервуарға (10) су құйыңыз (2-сур.), одан кейін қақпақты (2) жабыңыз.

Ескертпе:

- Су құюға арналған резервуарға (10) хошіістендіргіш сұйықтықтарды, сірке суын, крахмал ерітіндісін, қақтарды кетіруге арналған реагенттерді, химиялық заттарды және т.б. құюға тыйым салынады.
- Суды «тах» (13) белгісінен асырып құймаңыз.
- Егер үтіктеу кезінде үстінен қосымша су құю керек болса, онда үтіккі сөндіріп, желілік шнур ашасын розеткадан суыру қажет болады.

ҮТІКТЕУ ТЕМПЕРАТУРАСЫ

- Өр кезде киімдерді үтіктеу алдында, бұйымның үтіктеу температурасы көрсетілген тілшелерге қараңыз.
- Егер үтіктеу бойынша нұсқаулары бар тілше жоқ болса, бірақ сіз материалдың түрін ажырата алсаңыз, онда температураны таңдау үшін кестені пайдаланыңыз.

Үтіктеу температурасын белгілеу	Матаның түрі (температура)
.	Синтетика, нейлон, акрил, полиэстер (төменгі температура)
..	Жібек/жүн (орташа температура)
...	Мақта, зығыр (жоғары температура)
max	Максималды температура

- Бұл кесте тек тегіс материалдарға арналған. Егер материал басқа түрлі болса

(гофрирленген, кеді—бұдырлы және т.б.), онда оны төменгі температурада үтіктеген жөн.

- Алдымен киімдерді үтіктеу температурасы бойынша сұрыптап алыңыз: синтетиканы синтетикаға, жүнді жүнге, мақтаны мақтаға және т.с.с.
- Үтіктің қызуы, оның сууына қарағанда тез. Сондықтан алдымен, төменгі температурадағы киімдерді үтіктеп алған жөн (мысалы, синтетикалық маталар).
- Одан кейін жоғарырақ температурада үтіктеуге ауысыңыз (жібек, жүн) Мақта мен зығыр бұйымдарын соңғы кезекте үтіктеген жөн.
- Егер матаның құрамына аралас талшықтар кірген болса, онда ең төменгі үтіктеу температурасын орнатып қойған жөн (мысалы, бұйым акрилдан және мақтадан тұрса, онда оны акрилға сәйкес келетін температурада «*» үтіктеу қажет).
- Егер сіз матаның құрамын анықтай алмасаңыз, онда киімнің киген кезде көзге түсе қоймайтын жерін тауып алыңыз да, тәжірибелік жолмен үтіктеу температурасын таңдаңыз (үнемі ең төменгі температурадан бастаңыз да, қалаған нәтижеге қол жеткізбейінше оны көбейте беріңіз.)
- Вельветті және басқа да тез түгі түсетін маталарды қатаң түрде бір бағытта ғана (түктің ығына қарай) сәл батыңқырап үтіктеу керек.
- Синтетикалық және жібек маталарда түгі түскен дақтардың пайда болуын болдырмау үшін оларды астары жағынан үтіктеген жөн.

ҮТІКТЕУ ТЕМПЕРАТУРАСЫН ОРНАТУ

- Үтіккі түбіне (8) қойыңыз.
- Желілік шнурдың ашасын электр розеткасына сұғыңыз.
- Реттегішті (11) бұрай отырып, қалаған үтіктеу температурасын орнатыңыз: «*», «**», «***» немесе «мах» (матаның түріне байланысты), осы кезде көрсеткіш (9) жанады (сур.3)
- Табанның температурасы (14) температурасы белгіленген температураға дейін қызған кезде көрсеткіш (9) сөніп қалады, осыдан кейін үтіктеуге кірісе беруге болады.

Ескертпе:

- Алғашқы қосқан кезде үтіккінің қыздырғыш элементі күйеді, сондықтан аздаған түтіннің және бөтен иістің пайда болуы қалыпты жағдай болып табылады.

СУ ШАШЫРАТҚЫШ

- Сіз шашыратқыш пернесін (5) бірнеше рет басып матаны дымқылдай аласыз (сур. 4).
- Резервуардағы (10) судың жеткілікті екеніне көз жеткізіп алыңыз.

ҚҰРҒАҚТАЙ ҮТІКТЕУ

- Үтікті түбіне (8) қойыңыз.
- Желілік шнурдың ашасын электр розеткасына сұғыңыз.
- Реттегішті (11) бұрай отырып, қалаған үтіктеу температурасын орнатыңыз: «*», «**», «***» немесе «max» (матаның түріне байланысты), осы кезде көрсеткіш (9) жанады (3-сур.)
- Тұрақты бу жіберу реттегішін (3) «0» (тұрақты бу жіберу сәндірулі) күйіне орнатыңыз (сур. 1).
- Үтік табанының температурасы белгіленген мәнге дейін қызған кезде көрсеткіш (9) сөніп қалады, осыдан кейін үтіктеуге кірісе беруге болады.
- Үтік пайдаланып болғаннан кейін температура реттегішін (11) «minimum» күйіне орнатыңыз.
- Желілік шнурдың ашасын розеткадан суырыңыз да, оның толық сууын күтіңіз.

БУМЕН ҮТІКТЕУ

Бумен үтіктеу тек температура реттегіші (11) «***», «***» немесе «max» күйіне орнатылған кезде ғана мүмкін болады.

Үтік табанының температурасы өте төмен болған кезде, су жіберуді жауып қалатын, тамшыға қарсы құлақшасымен жабдықталған, бұл үтіктің табанындағы (14) саңылаудан тамшылардың пайда болуын тоқтатады Үтік табаны не қызған кезде, не суыған кезде тамшыға қарсы құлақшаның ашылуына/жабылуына тән дыбыстар естіледі, бұл оның дұрыс жұмыс істеп тұрғандығын білдіреді.

Үтіккі түбіне (8) қойыңыз.

- Желілік шнурдың ашасын электр розеткасына сұғыңыз.
- Резервуардағы (10) судың жеткілікті екеніне көз жеткізіп алыңыз.
- Реттегішті (11) бұрай отырып, қалаған үтіктеу температурасын орнатыңыз: «***», «***» немесе «max», осы кезде көрсеткіш (9) жанады.
- Үтіккің табаны (14) белгіленген температураға дейін қызған кезде көрсеткіш (9) сөніп қалады, осыдан кейін үтіктеуге кірісе беруге болады.
- Тұрақты бу беру реттегішімен (3) қажетті бу түзу қарқындылығын орнатыңыз.
- Тұрақты бу жіберу режимінде табанның саңылауларынан (14) шыққан бу үтіккің тек көлденең күйінде тұрған кезде ғана шығады. Бу беруді тоқтату үшін үтіккі тік күйге орнатыңыз немесе тұрақты бу беру реттегішін (3) «0» күйіне ауыстырыңыз.
- Үтіккі пайдаланып болғаннан кейін температура реттегішін (11) «minimum» күйіне, ал тұрақты бу жіберу реттегішін (3) «0» күйіне орнатыңыз (сур. 1).
- Желілік шнурдың ашасын электр розеткасынан суырыңыз да, оның толық сууын күтіңіз.

НАЗАР АУДАРЫҢЫЗ!

Егер жұмыс барысында тұрақты бу жіберіліп тұрмаса, онда температура реттегіші күйінің (11) дұрыстығын, тұрақты бу жіберу реттегіші күйінің (3) дұрыстығын тексеріңіз және резервуарда (10) судың жеткілікті болуын тексеріңіз.

ҚОСЫМША БУ ЖІБЕРУ

Қосымша бу жіберу функциясы жиырылған жерлерді жазу кезінде пайдалы және жоғары температуралы үтіктеу күйінде ғана пайдаланыла алады (температура реттегіші (11) «max» күйінде болғанда).

Қосымша бу жіберу пернесін (4) басқан кезде үтіккің табанына қарқынды бу шығады (сур. 5).

Ескертпе: Бу саңылауларының арасынан судың ағуын болдырмау үшін қосымша бу жіберу түймесін (4) 4-5 секунд аралығымен басып отырыңыз.

ТІГІНЕН БУЛАУ

Тігінен булау функциясы тек жоғары температуралы үтіктеу күйінде ғана пайдаланыла алады (температура реттегіші (11) «max» күйінде болғанда).

Үтік табанының қызғанын күтіңіз, үтіккі тігінен киімнен 10-30 см қашықтықта ұстап тұрыңыз да, қосымша бу жіберу пернесін (4) 4-5 секунд аралықпен басыңыз, бу үтіккің табанынан қарқынды шығатын болады (сур. 6). Су тамшылары пайда болмас үшін үтіккің табаны қызып жатқан кезде тігінен булауды орындамаңыз (бұл кезде көрсеткіш (9) жанады).

Маңызды ақпарат:

- Синтетикалық маталарды тігінен булауға болмайды.
- Булау кезінде үтіккің табанын материалға, оның балқуын болдырмас үшін, тигізбеңіз.
- Ешқашан адамға кигізіліп қойған киімді буламаңыз, себебі, шығатын будың температурасы өте жоғары, ол үшін киім ілгіштерді пайдаланыңыз.
- Сіз үтіктеп болғаннан кейін, үтіккі сөндіріңіз, оның толық суығанын күтіңіз, осыдан кейін су құю саңылауының қақпағын (2) ашыңыз да, үтіккі төңкеріп қалған суды төгіп тастаңыз.

БУ КАМЕРАСЫН ТАЗАРТУ

Үтіккің қызмет ету мерзімін арттыру үшін үнемі бу камерасын, әсіресе, «кермек» сүкұбыры бар өңірлерде, тазартып тұру керек.

- Тұрақты бу жіберу реттегішін (3) «0» күйіне орнатыңыз (сур. 1).
- Резервуарды (10) сумен «max» (13) белгісіне дейін толтырыңыз.

ҚАЗАҚША

Ескертпе: Су құюға арналған резервуарға хошистендіргіш сұйықтықтарды, сірке суын, крахмал ерітіндісін, қақтарды кетіруге арналған реагенттерді, химиялық заттарды және т.б. құюға тыйым салынады.

- Үтіккі түбіне (8) қойыңыз.
- Желілік шнурдың ашасын электр розеткасына сұғыңыз.
- Реттегішті (11) бұрай отырып, үтік табанының максималды қызу температурасына «тах» орнатыңыз, осы кезде көрсеткіш (9) жанады.
- Үтіктің табаны (14) белгіленген температураға дейін қызған кезде көрсеткіш (9) сөніп қалады. Үтік табанының қайта қызғанын күтіңіз, осыдан кейін бу камерасын тазалай беруге болады.
- Желілік шнурдың ашасын электр розеткасынан ажыратыңыз.
- Үтіккі раковинаның үстінде көлденең орналастырыңыз да, «self-clean» түймесін (12) басып ұстап тұрыңыз (сур. 7).
- Қайнап жатқан су мен бу қақпен бірге үтік табанының (14) саңылауларынан сыртқа шығады.
- Үтіккі резервуардағы (10) барлық су шығып болмайынша сәл алдыға-артқа шайқаңыз.
- Үтіккі түбіне қойыңыз да (8), оны толық суытыңыз.
- Үтіктің табаны (14) толық суып болғаннан кейін, оны құрғақ матамен сүртіңіз.
- Үтіккі сақтауға алып қоймас бұрын резервуарда (10) судың қалмағандығын, ал үтіктің табаны (14) құрғақ екенін тексеріп алыңыз.

ТАЗАЛАУ ЖӘНЕ КҮТУ

- Үтіккі тазаламас бұрын, ол желіден ажыратулы және суып тұрғанын тексеріп алыңыз.
- Үтіктің корпусын ылғал матамен сүртіңіз, осыдан кейін оны құрғатып сүртіңіз.
- Үтіктің табанындағы шөгінділерді су-сірке суы ерітіндісіне малынған матамен кетіруге болады.
- Шөгінділерді кетіргеннен кейін табанның бетін құрғақ матамен сүртіңіз.
- Үтіктің табаны мен корпусын тазалау үшін қажайтын тазартқыш құралдарды және еріткіштерді пайдаланбаңыз.
- Үтіктің табанын өткір металл бұйымдарына тигізіп алмаңыз.

САҚТАУ

- Үтіккі сақтауға алып қоймас бұрын, оны тазартып алыңыз, резервуардағы (10) су қалдығын жойыңыз.
- Температура реттегішін (11) «minimum» күйіне, ал тұрақты бу жіберу реттегішін (3) «0» күйіне орнатыңыз (сур. 1).

- Желілік шнурды үтіктің негізіне (8) ораңыз (сур. 8).
- Үтіккі тік күйде құрғақ салқын балалардың қолдары жетпейтін жерде сақтаңыз.

ЖЕТКІЗУ ЖИНАҒЫ

Үтік – 1 дана
Өлшеуіш стақан – 1 дана
Нұсқаулық – 1 дн.

ТЕХНИКАЛЫҚ СИПАТТАРЫ

Электрқорегі: 220-240 В ~ 50 Гц
Максималды қажет ететін қуаты: 2500 Вт

Өндіруші прибордың сипаттарын алдын ала хабарламай өзгерту құқығына ие болып қалады.

Прибордың қызмет ету мерзімі – 3 жыл

Гарантиялық міндеттілігі

Гарантиялық жағдайдағы қаралып жатқан бөлшектер дилерден тек сатып алынған адамға ғана беріледі. Осы гарантиялық міндеттілігіндегі шағымдалған жағдайда төлеген чек немесе квитанциясын көрсетуі қажет.

ЕАЭС

- **Nu utilizați fierul de călcat dacă acesta a căzut, dacă prezintă defecțiuni vizibile sau în caz de scurgeri.**
- **Plasați fierul de călcat pe o suprafață plană, stabilă sau utilizați o scândură de călcat stabilă.**
- **De fiecare dată înainte de a umple rezervorul cu apă scoateți fișa cablului de alimentare din priza electrică.φ**
- **Capacul orificiului de umplere trebuie ținut închis în timpul călcării.**
- **Atenție! Suprafețele fierului de călcat se încălzesc în timpul funcționării. Evitați contactul părților deschise ale pielii cu suprafețele fierbinți ale fierului de călcat sau cu aburii emiși pentru a evita arsurile.**
- **Goliți rezervorul de apă numai după deconectarea fierului de călcat de la rețeaua electrică.**
- **Nu lăsați aparatul să funcționeze nesupravegheat.**
- **Acest aparat nu este destinat pentru folosire de către copii cu vârsta sub 8 ani.**
- **În timpul utilizării și răcirii plasați fierul de călcat în locuri inaccesibile pentru copii cu vârsta sub 8 ani.**
- **Copiii mai mari de 8 ani sau persoanele cu dizabilități pot utiliza aparatul doar în cazul în care sunt supravegheați de persoana responsabilă cu siguranța lor, care le-a dat instrucțiuni corespunzătoare și clare cu privire la folosirea sigură a aparatului și despre pericolele care pot apărea în caz de folosire inadecvată.**

FIER DE CĂLCAT CU ABUR

Descriere

1. Duză de de stropire cu apă
2. Capac orificiu de umplere
3. Reglor debit continuu de aburi
4. Buton de livrare suplimentară a aburilor
5. Buton de stropire cu apă
6. Mâner
7. Protecție cablu de alimentare
8. Baza fierului de călcat
9. Indicator pornire/oprire element de încălzire
10. Rezervor pentru apă
11. Reglor de temperatură
12. Buton regim autocurățire «self-clean»
13. Indicator al nivelului maxim de apă «max»
14. Talpa fierului de călcat
15. Vas pentru turnarea apei

MĂSURI DE SIGURANȚĂ

Citiți cu atenție prezenta instrucțiune înainte de utilizarea aparatului electric și păstrați-o pentru consultări ulterioare.

Utilizați dispozitivul doar în scopul pentru care a fost creat, așa cum este descris în această instrucțiune. Operarea greșită a aparatului poate duce la defecțarea acestuia, cauzarea de prejudicii utilizatorului și proprietății lui.

- Înainte de conectare asigurați-vă că tensiunea de lucru indicată pe aparat corespunde cu tensiunea rețelei electrice locale.
- Cablul de alimentare este prevăzut cu fișă de tip «euro»; conectați fișa «euro» la prize electrice prevăzute cu împământare.
- Pentru a preveni riscul electrocutării nu utilizați piese intermediare atunci când conectați aparatul la priza electrică.
- Pentru a nu supraîncărca rețeaua de alimentare nu conectați simultan mai multe aparate cu consum mare de putere.
- Nu turnați în rezervorul pentru apă lichide aromatizatoare, oțet, soluție de amidon, agenți pentru înlăturarea depunerilor de calcar, substanțe chimice etc.
- Nu lăsați cablul de alimentare să se afle pe scândura de călcat și să atingă suprafețe fierbinți.
- În pauze plasați fierul de călcat pe bază (în poziție verticală).
- Înainte de a deconecta/conecta fierul de călcat la rețeaua electrică fixați reglorul de temperatură în poziția minim și opriți debitul continuu de abur.

- Întotdeauna deconectați aparatul de la rețea dacă nu îl folosiți.
- Pentru deconectarea aparatului de la rețeaua electrică trageți de fișă nu de cablu.
- Pentru a nu vă electrocuta nu scufundați fierul de călcat, cablul de alimentare sau fișa cablului de alimentare în apă sau alte lichide.
- Înainte de stocare deconectați fierul de călcat de la rețeaua electrică, permiteți-i să se răcească complet și goliți de apa rămasă.
- Pentru a nu vă electrocuta niciodată nu desfaceți singuri fierul de călcat; iar în caz de defecțiuni apelați la un centru service autorizat.
- Din motive de siguranță a copiilor nu lăsați pungile de polietilenă, folosite ca ambalaj, fără supraveghere.
- **Atenție! Nu permiteți copiilor să se joace cu pungile de polietilenă sau pelicula pentru ambalare. Pericol de asfixiere!**
- Copiii trebuie supravegheați pentru a nu se juca cu fierul de călcat.
- Păstrați fierul de călcat în poziție verticală la un loc uscat, răcoros, inaccesibil pentru copii și persoane cu dizabilități.

APARATUL ESTE DESTINAT NUMAI UZULUI CASNIC

ÎNAINTE DE PRIMA UTILIZARE

În cazul transportării sau depozitării dispozitivului la o temperatură scăzută este necesar să-l mențineți la temperatura camerei timp de cel puțin două ore.

- Scoateți fierul de călcat din ambalaj, dacă pe talpa fierului de călcat (14) este pusă protecția, înlăturați-o.
- Verificați integritatea aparatului, în caz de defecțiuni nu îl utilizați.
- Asigurați-vă că tensiunea indicată pe aparat corespunde cu tensiunea rețelei electrice locale.

FUNCȚIE OPRIRE AUTOMATĂ

În modelul dat sunt prevăzute două regimuri de deconectare automată a fierului de călcat.

1. Dacă fierul de călcat se află în poziția orizontală fără mișcări timp de 30 secunde, atunci elementul încălzitor se va deconecta, iar veți auzi semnalele sonore. După reînceperea călcării fierului de călcat va porni automat.
2. Dacă fierul de călcat se află în poziția verticală fără mișcări timp de 8 minute, atunci elementul încălzitor se va deconecta, iar veți auzi semnale-

le sonore. După reînnoirea procesului de călcat fierul de călcat se va conecta automat.

ALEGEREA APEI

Pentru umplerea rezervorului folosiți apa de la robinet. Dacă apă este dură, se recomandă amestecarea ei cu apă distilată în proporție de 1:1, dacă apa este foarte dură, amestecați-o cu apă distilată în proporție de 1:2 sau utilizați doar apă distilată.

UMPLEREA REZERVORULUI PENTRU APĂ

Înainte de a turna apă în rezervorul fierului de călcat, asigurați-vă că el este deconectat de la rețea electrică.

- Fixați reglorul de temperatură (11) în poziția «minimum», iar reglorul de debit continuu de aburi (3) în poziția «0» (fig. 1).
- Deschideți capacul orificiului de umplere (2).
- Folosind vasul pentru turnarea apei (15), turnați apa în rezervor (10) (fig. 2), apoi închideți capacul (2).

Remarci:

- Nu turnați în rezervorul pentru apă (10) substanțe aromatizatoare, oțet, soluție de amidon, agenți pentru înlăturarea depunerilor minerale, substanțe chimice etc.
- Nu umpleți cu apă dincolo de nivelul «max» (13).
- Dacă în timpul călcării este necesar să turnați apă, opriți mai întâi fierul de călcat și scoateți fișa cablului de alimentare din priză.

TEMPERATURA DE CĂLCARE

- Înainte de călcare vedeți eticheta hainei unde este indicată temperatura recomandată de călcare.
- Dacă eticheta cu indicații pentru călcare lipsește, însă Dvs. cunoașteți tipul de țesătură, atunci pentru alegerea temperaturii de călcare utilizați tabelul următor.

Notarea temperaturii de călcare	Tipul țesăturii (temperatura)
.	Sintetice, nylon, acrilic, poliester (temperatură minimă)
..	Mătase/lână (temperatură medie)
...	Bumbac/in (temperatură mare)
max	Temperatură maximă

- Datele din tabel pot fi aplicate doar pentru țesăturile netede. Dacă țesătura este de un alt tip

(gofrată, reliefată etc.), este mai bine să o călcați la temperatura minimă.

- Înainte de călcare sortați hainele conform temperaturii de călcare: sinteticele la sintetice, lână la lână, bumbacul la bumbac etc.
- Fierul de călcat se încălzește mai repede decât se răcește. De aceea, de la început vă recomandăm să călcați hainele care necesită o temperatură minimă (de exemplu stofele sintetice).
- Apoi treceți la călcare la temperaturi mai ridicate (mătase, lână). Articolele din bumbac și în se vor călca în ultimul rând.
- Dacă structura stofei conține fibre amestecate, atunci este necesar să setați temperatură minimă de călcare (de exemplu dacă articolul constă din acril și bumbac, acesta trebuie călcat la temperatura potrivită pentru acril «**»).
- Dacă nu puteți stabili compoziția stofei, alegeți un loc puțin vizibil pe partea interioară a articolului și încercați să alegeți temperatura potrivită (începeți cu temperatura cea mai joasă, ridicând-o treptat, până la obținerea rezultatului dorit).
- Țesăturile din catifea și cele care pot căpăta luciu trebuie călcate strict într-o singură direcție (în direcția pufului) apăsând ușor.
- Pentru a evita apariția petelor lucitoare pe țesăturile sintetice și din mătase, călcați-le pe dos.

SETAREA TEMPERATURII DE CĂLCARE

- Așezați fierul de călcat pe baza (8).
- Introduceți fișa cablului de alimentare în priză electrică.
- Rotind reglorul (11) setați temperatură de călcare necesară: «*», «**», «***» sau «max» (fig. 3) în funcție de tipul țesăturii, indicatorul (9) se va aprinde.
- De îndată ce talpa fierului de călcat (14) va atinge temperatura setată, indicatorul (9) se va stinge, puteți începe călcatul.

Remarcă:

- La prima utilizare elementul de încălzire a fierului de călcat se arde, de aceea poate apărea un miros străin și o cantitate neînsemnată de fum, este un fenomen normal.

STROPITORUL DE APĂ

- Puteți să umeziți țesătura, apăsând de câteva ori pe butonul de stropire cu apă (5) (fig. 4).
- Asigurați-vă că rezervorul (10) conține suficientă apă.

CĂLCAREA USCATĂ

- Așezați fierul de călcat pe baza (8).

ROMÂNĂ/ Moldovenească

- Introduceți fișa cablului de alimentare în priză electrică.
- Rotind reglorul (11) setați temperatură de călcare necesară: «•», «••», «•••» sau «max» (fig. 3) în funcție de tipul țesăturii, indicatorul (9) se va aprinde.
- Fixați reglorul pentru debit continuu de aburi (3) în poziția «0» (livrarea continuă a aburilor este pornit) (fig. 1).
- De îndată ce talpa fierului de călcat va atinge temperatura setată, indicatorul (9) se va stinge, puteți începe călcatul.
- După utilizarea fierului de călcat setați regulatorul de temperatură (11) în poziția «minimum».
- Extrageți fișa cablului electric din priză și lăsați fierul de călcat să se răcească complet.

CĂLCAREA CU ABURI

Călcare cu aburi este posibilă doar atunci când reglorul de temperatură (11) se află în poziția «•••», «••••» sau «max».

Fierul de călcat este dotat cu o valvă anti-picături, care oprește livrarea apei atunci când temperatura tălpii fierului de călcat este prea joasă, ceea ce previne apariția picăturilor de apă din orificiile tălpii fierului de călcat (14). În timpul încălzirii și răcirii tălpii fierului de călcat veți auzi pocnituri specifice de deschidere/închidere a valvei anti-picături, care indică asupra funcționării normale a acesteia.

- Așezați fierul de călcat pe baza (8).
- Introduceți fișa cablului de alimentare în priză electrică.
- Asigurați-vă că în rezervor (10) este o cantitate suficientă de apă.
- Rotind reglorul (11) setați temperatură de călcare necesară: - «•••», «••••» sau «max», indicatorul (9) se va aprinde.
- De îndată ce talpa fierului de călcat (14) va atinge temperatura setată, indicatorul (9) se va stinge, puteți începe călcatul.
- Cu reglorul pentru debit continuu de abur (3) setați intensitatea necesară de vaporizare.
- La regimul de debit continuu de aburi aburii vor ieși din orificiile din talpa (14) doar în poziție orizontală a fierului de călcat. Pentru a înceta livrarea a aburilor așezați fierul de călcat în poziție verticală sau mutați reglorul debit continuu de aburi (3) în poziția «0».
- După utilizarea fierului de călcat setați reglorul de temperatură (11) în poziția «minimum», iar reglorul de debit continuu de aburi (3) în poziția «0» (fig. 1).

- Scoateți fișa cablului de alimentare din priză și permiteți fierului de călcat să se răcească complet.

ATENȚIE!

Dacă în timpul utilizării nu are loc eliberarea continuă a aburului, verificați corectitudinea setării reglului de temperatură (11), reglului pentru eliberarea aburului (3) și dacă rezervorul (10) conține suficientă apă.

LIVRARE SUPLIMENTARĂ DE ABURI

Funcția extra jet de aburi este utilă la călcarea hainelor puternic șifonate și poate fi folosită doar în regim de călcare la temperaturi maxime (atunci când reglorul de temperatură (11) se află în poziția «max»).

La apăsarea butonului extra aburi (4) aburul va fi emis mai intens din talpa fierului de călcat (fig. 5).

Remarcă: Pentru a evita scurgerile de apă din orificiile de aburi apăsați butonul pentru extra aburi (4) cu intervale de 4-5 de secunde.

CĂLCAREA PE VERTICALĂ

Funcția de călcare cu emisie de vapori pe verticală poate fi folosită doar la călcarea în regim de temperaturi maxime (atunci când reglorul de temperatură (11) se află în poziția «max»).

Așteptați încălzirea talpei fierul de călcat, tineți fierul de călcat pe verticală la o distanță de 10-30 cm de la haine și apăsați butonul de livrare suplimentară a aburilor (4) cu intervale de 4-5 secunde, aburul va fi emis din orificiile tălpii fierului de călcat (fig. 6). Pentru a evita formarea picăturilor de apă nu călcați cu aburi în poziție verticală în timpul încălzirii a tălpii fierului de călcat (în acest timp arde indicatorul (9)).

Informații importante

- Nu se recomandă prelucrarea cu aburi în poziție verticală a țesăturilor sintetice.
- În timpul călcării cu aburi nu atingeți cu talpa fierului stofa pentru a nu o topi.
- Nu folosiți emisia de vapori în poziție verticală asupra unei persoane care are hainele pe ea, deoarece temperatura aburului emis este foarte înaltă, folosiți un umerăș sau cuier.
- După ce ați finisat călcatul, deconectați fierul de călcat, așteptați până acesta se răcește complet, apoi deschideți capacul orificiului de umplere (2), răsturnați fierul de călcat și vărsați apa care a rămas.

CURĂȚAREA CAMEREI DE ABUR

Pentru a prelungi perioada de funcționare a fierului de călcat se recomandă curățarea regulată a compartimentului de aburi, mai ales în regiuni cu apă dură în sistemul de aprovizionare cu apă.

- Setează reglorul pentru debit continuu de aburi (3) în poziția «0» (fig. 1).
- Umpleți rezervorul (10) cu apă până la nivelul «max» (13).

Remarcă: Nu turnați în rezervorul pentru apă lichide aromatizatoare, oțet, soluție de amidon, agenți pentru înlăturarea depunerilor de calcar, substanțe chimice etc.

- Așezați fierul de călcat pe baza (8).
- Introduceți fișa cablului de alimentare în priză electrică.
- Rotind regulatorul (11) setați temperatura de încălzire maximă a tălpii fierului de călcat «max», indicatorul (9) se va aprinde.
- Atunci când talpa fierului de călcat (14) va încălzi până la temperatura setată, indicatorul (9) se va stinge. Așteptați reîncălzirea talpei fierului de călcat după ce, puteți curăți compartimentul de aburi.
- Scoateți fișa cablului de alimentare din priza electrică.
- Poziționați fierul de călcat în poziție orizontală deasupra chiuvetei, apăsați îndelung pe butonul «self-clean» (12) (fig. 7).
- Apa fierbândă și aburii împreună cu depunerile de calcar vor ieși din orificiile din talpa fierului de călcat (14).
- Legănați ușor fierul de călcat înainte-înapoi, până va ieși toată apa din rezervor (10).
- Plasați fierul de călcat pe bază (8) și lăsați-l să se răcească complet.
- Atunci când talpa fierului de călcat (14) se va răci complet, ștergeți-o cu o bucată de țesătură uscată.
- Înainte de a pune fierul de călcat la păstrare, asigurați-vă că în rezervor (10) nu este apă, iar talpa fierului de călcat (14) este uscată.

ÎNȚREȚINERE ȘI CURĂȚARE

- Înainte de a cuăța fierul de călcat, asigurați-vă că el este deconectat și rece.
- Ștergeți corpul fierului de călcat cu o cârpă umedă, după care ștergeți cu o cârpă uscată.
- Depunerile de pe talpa fierului de călcat pot fi îndepărtate cu o cârpă umezită în soluție de apă cu oțet.
- După îndepărtarea depunerilor lustruiți talpa fierului de călcat cu o cârpă uscată.

- Nu folosiți pentru curățarea tălpii și a corpului fierului de călcat agenți de curățare abrazivi și detergenți.
- Evitați contactul tălpii fierului de călcat cu obiecte metalice ascuțite.

PĂSTRARE

- Înainte de a pune fierul de călcat la păstrare, curățați-l și goliți rezervorul (10) de resturile de apă.
- Fixați reglorul de temperatură (11) în poziția «minimum», iar reglorul de debit continuu de aburi (3) în poziția «0» (fig. 1).
- Rulați cablul de alimentare pe fixatoarele (8) (fig. 8).
- Păstrați fierul de călcat în poziție verticală, la un loc uscat, răcoros, inaccesibil pentru copii.

CONȚINUT PACHET

Fier de călcat – 1 buc.
Vas pentru turnarea apei – 1 buc.
Instrucțiune – 1 buc.

CARACTERISTICI TEHNICE

Alimentare: 220-240 V ~ 50 Hz
Consum maxim de putere: 2500 W

Producătorul își rezervă dreptul de a modifica caracteristicile dispozitivului fără anunțare prealabilă.

Durata de funcționare a aparatului - 3 ani

Garanție

În legătură cu oferirea garanției pentru produsul dat, rugăm să Vă adresați la distribuitorul regional sau la compania, unde a fost procurat produsul dat. Serviciul de garanție se realizează cu condiția prezentării bonului de plată sau a oricărui alt document financiar, care confirmă cumpărarea produsului dat.



Acest produs corespunde cerințelor EMC, întocmite în conformitate cu Directiva 2004/108/EC și Directiva cu privire la electrosecuritate/Joasă tensiune (2006/95/EC).

ČESKÝ

- **Nepoužívejte žehličku po jejím spadnutí, pokud je zjevně poškozena nebo pokud z ní prosakuje voda.**
- **Odkládejte žehličku na rovnou stabilní podložku nebo používejte stabilní žehlicí prkno.**
- **Před naplňováním nádržky žehličky vodou vždy odpojte vidlici přívodního kabelu od elektrické zásuvky.**
- **Víko plnicího otvoru musí být během žehlení uzavřené.**
- **Upozornění! Povrch žehličky se během provozu zahřívá. Aby nedošlo k opaření vyhněte se kontaktu nechráněných částí těla s horkým povrchem žehličky nebo s vycházející z ní párou.**
- **Vylívejte vodu z nádržky vždy až po odpojení žehličky od elektrické sítě.**
- **Nenechávejte zapnutou žehličku bez dozoru.**
- **Tento přístroj není určen k používání dětmi mladšími 8 let.**
- **Během práce a ochlazování se žehličky odkládejte ji v místech, nepřístupných dětem mladším 8 let.**
- **Děti starší 8 let a osoby s omezenými schopnostmi smějí používat přístroj jenom za předpokladu, že jsou pod dohledem osoby odpovědné za jejich bezpečnost, která jim podala odpovídající a srozumitelné pokyny k bezpečnému použití přístroje a poučila je o nebezpečí vyplývajícím z jeho nesprávného použití.**

PARNÍ ŽEHLIČKA

Popis

1. Rozprašovací hubice
2. Víko liciho otvoru
3. Regulátor stálosti dodávky páry
4. Tlačítko dodatečného přívodu páry
5. Tlačítko rozprašovače vody
6. Držadlo
7. Zabezpečení napájecího kabelu
8. Spodek žehličky
9. Indikátor zapnutí/vypnutí topného tělesa
10. Zásobník na vodu
11. Regulátor teploty
12. Tlačítko režimu samočistění „self-clean“
13. Ukazatel maximálního stavu vody «max»
14. Žehlicí deska
15. Měrná nádobka

BEZPEČNOSTNÍ POKYNY

Před použitím přístroje si pečlivě přečtěte tuto uživatelskou příručku a uschovejte ji pro pozdější použití jako zdroje potřebných informací.

Spotřebič používejte pouze pro účely, k nimž je určen, jak je popsáno v této příručce. Nesprávné zacházení s přístrojem by mohlo vést k jeho poškození, újmě na zdraví uživatele nebo škodě na jeho majetku.

- Před zapnutím se přesvědčte že napětí v elektrické síti odpovídá provoznímu napětí žehličky.
- Přívodní kabel je vybaven vidlicí s uzemněním, zapojte ji do řádně uzemněné zásuvky.
- Aby nedošlo k vzniku požáru, nepoužívejte adaptéry při zapojení žehličky do elektrické zásuvky.
- Aby nedošlo k přetížení elektrické sítě, nezapojujte současně několik spotřebičů s velkým příkonem.
- Do nádržky na vodu v žádném případě nepoužívejte aromatizované kapaliny, ocet, škrobový roztok, odvápnovací prostředky, chemické látky atp.
- Dbejte na to, aby se přívodní kabel nenacházel na žehlicím prkně a nedotýkal se horkých povrchů.
- Během přestávek v práci odkládejte žehličku na základnu (ve svislé poloze).
- Před odpojením/zapojením žehličky do elektrické sítě převed'te ovládač nastavení teploty do minimální polohy a vypněte stálý přívod páry.
- Je třeba vždy odpojit žehličku od elektrické sítě pokud ji nepoužíváte.
- Při odpojování žehličky od elektrické sítě se vždy držte jenom za vidlici, nikdy netáhněte za přívodní kabel.
- Aby nedošlo k úrazu elektrickým proudem nikdy neponožte žehličku, přívodní kabel ani vidlici přívodního kabelu do vody nebo jakékoli jiné kapaliny.
- Před uskladněním žehličky odpojte ji od sítě, nechte ji úplně vychladnout a vylijte zbytky vody.
- Aby nedošlo k úrazu elektrickým proudem nikdy nerozebírejte žehličku samostatně; pokud objevíte poruchu, obraťte se jenom na autorizované servisní středisko.

- Z důvodu bezpečnosti dětí nenechávejte bez dozoru igelitové sáčky použité při balení.
- **Upozornění!** Nedovolujte dětem aby si hrály s igelitovými sáčky a obalovou fólií. **Nebezpečí zadušení!**
- Nedovolujte dětem aby si s žehličkou hrály.
- Skladujte žehličku ve svislé poloze v suchém chladném místě mimo dosah dětí a osob se sníženými schopnostmi.

SPOTŘEBIČ JE URČEN POUZE K POUŽITÍ V DOMÁCENOSTI

PŘED PRVNÍM POUŽITÍM

Po přepravě nebo skladování přístroje za nízkých teplot je nutné uchovávat ho při pokojové teplotě po dobu nejméně dvou hodin.

- Rozbalte žehličku, pokud je na žehlicí desce (14) ochranná nálepka, odstraňte ji.
- Zkontrolujte zda přístroj není poškozen, pokud objevíte poškození přístroj nepoužívejte.
- Přesvědčte se, že napětí elektrické sítě odpovídá provoznímu napětí žehličky.

Funkce automatického vypnutí

Tento model má dva režimy automatického vypnutí žehličky.

1. Pokud žehlička zůstane bez pohybu v horizontální poloze během 30 sekund, topné těleso žehličky se vypne, přičemž uslyšíte zvukové tóny. Po obnově procesu žehlení žehlička se automaticky zapne.
2. Pokud žehlička zůstane bez pohybu ve svislé poloze během 8 min., topné těleso žehličky se vypne, přičemž uslyšíte zvukové tóny. Po obnově procesu žehlení žehlička se automaticky zapne.

VÝBĚR VODY

Pro naplnění vodní nádržky použijte obyčejné vodovodní vody. Pokud je voda tvrdá, doporučuje se promíchat ji s destilovanou vodou v poměru 1:1, při příliš tvrdé vodě doporučuje se smíchat ji s destilovanou vodou v poměru 1:2, nebo použít pouze destilovanou vodu.

PLNĚNÍ NÁDRŽKY NA VODU

Nez začnete naplňovat žehličku vodou, přesvědčte se že je odpojena od elektrické sítě.

- Nastavte regulátor teploty (11) do polohy ««minimum», a regulátor stálosti přívodu páry (3) do polohy «0» (obr.1).
- Otevřete víko plnicího otvoru (2).
- Odměrkou (15) nalijte vodu do vodní nádržky (10) (obr.2), a pak uzavřete víko (2).

Poznámky:

- Do nádržky na vodu v žádném případě nepoužívejte aromatizované tekutiny, ocet, škrobový roztok, odvápnovací prostředky, chemické látky atp.
- Nelijte vodu nad úroveň «max» (13).

ČESKÝ

- Pokud při žehlení je třeba doplnit vodou nádržku, vypněte žehličku a vytáhněte zástrčku napájecího kabelu ze zásuvky.

TEPLOTA ŽEHLENÍ

- Před žehlením se podívejte na štítek prádla, kde je uvedena doporučená teplota žehlení.
- Pokud štítek s návodem na žehlení chybí, ale je znám druh tkaniny, pro volbu odpovídající teploty použijte tuto tabulku.

Znacky teploty žehlení	Typ látky (teplota)
.	Syntetické materiály, akryl, nylon, polyester (nízká teplota)
..	Hedvábí/vlna (střední teplota)
...	Bavlna, len (vysoká teplota)
max	Maximální teplota

- Tabulku lze použít jen pro hladké tkaniny. Pokud je látka jiného typu (vlnitá, reliéfní ap.), doporučuje se žehlit při nízké teplotě.
- Před začátkem žehlení rozříd'te prádlo podle druhů tkanin: syntetické k syntetickým, vlnu k vlně, bavlnu k bavlně atd.
- Žehlička se zahřívá rychleji než se ochlazuje. Proto se doporučuje začít žehlení při nízké teplotě (např. prádlo ze syntetické látky).
- Pak pokračujte v žehlení při vyšších teplotách (hedvábí, vlna). Prádlo z bavlny a lna žehlete až na konci.
- Pokud látka je vyrobena ze smíšených vláken, nastavte nejnižší teplotu žehlení (např. látku se složením akryl a bavlna třeba žehlit při teplotě vhodné pro akryl «.»).
- Pokud nevíte, z jakých materiálů je oděv vyroben, určete správnou teplotu žehlení vyžehlením části oděvu, která není při nošení nebo používání vidět (vždy začněte od nejnižší teploty a zvyšujte ji, pokud nedosáhnete požadovaného výsledku).
- Manšestrové a jiné látky, které se rychle začínají lesknout žehlete přísně v jednom směru (ve směru vlasu) s mírným přitlačením.
- Aby se neobjevily lesklé skvrny na syntetických a hedvábných látkách, žehlete je na zadní straně.

NASTAVENÍ TEPLoty ŽEHLENÍ

- Dejte žehličku na spodek (8).
- Zapojte vidlici síťového kabelu do elektrické zásuvky.
- Otočením regulátoru (11) nastavte požadovanou teplotu žehlení: ., .., ... nebo «max» (obr.3) podle druhu tkaniny, světelná kontrolka (9) se rozsvítí.
- Až se žehlicí deska (14) rozehřeje na požadovanou teplotu, světelná kontrolka (9) zhasne, a může se začít s žehlením.

Poznámka:

- Při prvním zapojení ohřívací prvek žehličky ohořívá, proto je možný objevení ne velké dávky kouře nebo nepovolané vůně - to je normální jev.

ROZPRASOVAČ VODY

- Při žehlení můžete navlhčit prádlo opakovaným stisknutím tlačítka (5) (obr.4).
- Přesvědčte se že je v nádržce (10) dostatek vody.

SUCHÉ ŽEHLENÍ

- Dejte žehličku na spodek (8).
- Zapojte vidlici síťového kabelu do elektrické zásuvky.
- Otočením regulátoru (11) nastavte požadovanou teplotu žehlení: ., .., ... nebo «max» (obr.3) podle druhu tkaniny, světelná kontrolka (9) se rozsvítí.
- Regulátor stálého přívodu páry (3) nastavte do polohy «0» (stálý přísun páry je vypnut) (obr.1).
- Když teplota spodku žehličky dosáhne požadované hodnoty, indikátor (9) zhasne, můžete začínat žehlení.
- Po žehlení nastavte regulátor teploty (11) do polohy «minimum».
- Vyndejte vidlici síťového kabelu ze zásuvky a nechte žehličku vychladnout.

PARNÍ ŽEHLENÍ

Parní žehlení je možné pouze pokud je nastaven regulátor teploty (11) do polohy «...», «...» nebo «max». Žehlička je vybavena ventilem, který uzavírá přívod vody, pokud je teplota žehlicí desky příliš nízká a tím zabraňuje vytékání kapek vody z otvoru na žehlicí desce (14). Při zahřátí a ochlazování žehlicí desky je slyšet typické cvakání, doprovázející otevírání a zavírání ventilu, což svědčí o jeho správném fungování.

- Dejte žehličku na spodek (8).
- Zapojte vidlici síťového kabelu do elektrické zásuvky.
- Přesvědčte se že v nádržce (10) je dostatek vody.
- Otočením regulátoru (11) nastavte požadovanou teplotu žehlení: - «...», «...» nebo «max», přitom vzplane indikátor (9).
- Když teplota spodku žehličky (14) dosáhne požadované hodnoty, indikátor (9) zhasne, můžete začínat žehlení.
- Pomocí regulátoru stálého přívodu páry (3) nastavte požadovanou intenzitu přívodu páry.
- V režimu stálého výstupu páry pára bude intenzivně vycházet z otvorů ve spodku žehličky (14) pouze pokud žehlička zůstane v horizontální poloze. Chcete-li zastavit přívod páry postavte žehličku ve vertikální polohu nebo dejte regulátor stálého přívodu páry (3) do polohy «0».
- Po ukončení používání žehličky převed'te regulátor teploty (11) do polohy «minimum», a regulátor stálého přívodu páry (3) do polohy «0» (obr.1).
- Vyndejte vidlici síťového kabelu ze zásuvky a nechte žehličku vychladnout.

UPOZORNĚNÍ!

Pokud během žehlení stálý přívod páry nefunguje, zkontrolujte polohu regulátoru teploty (11) a regulátoru páry (3) a přesvědčte se že je v nádržce (10) dostatek vody.

DODATEČNÝ PŘÍVOD PÁRY

Funkce dodateční páry je užitečná pro vyhlazování záhybů a může být použita pouze při vysoké teplotě žehlení (když regulátor teploty (11) je v poloze «max»).

Po stisknutí tlačítka dodatečného přívodu páry (4) z otvorů v žehličce desce bude intenzivně vycházet para (obr. 5).

Poznámka: Aby se zabránilo úniku vody z otvorů proudění páry, tlačte knoflík dodatečného přívodu páry (4), v intervalech 4-5 sekund.

VERTIKÁLNÍ ODPAŘOVÁNÍ

Funkce vertikálního odparování může se realizovat jen za vysokoteplotního režimu žehlení (když regulátor teploty (11) je v poloze «max»).

Dočkejte se opětovného ohřevu spodku žehličky, uchopte žehličku svisle na vzdálenosti 10-30 cm od oděvu a opakovaně stlačujte knoflík přívodu páry (4) s odstupem 4-5 sekund, para bude intenzivně vycházet z otvorů ve spodku žehličky (6). V zamezení vytékání kapek vody nedoporučuje se používání svislé odpařování během zahrívání spodku žehličky (přítom svítí kontrolka (9)).

Důležitá informace

- Nedoporučuje se používání vertikálního napařování pro syntetické látky.
- Při napařování nedotýkejte se látky žehlicí deskou aby nedošlo k její roztavení.
- Nikdy neodpařujete oděv bezprostředně na člověka, protože teplota vycházející páry je velmi vysoká, použijte ramínka.
- Po ukončení žehlení vypněte žehličku, vyčkejte až se úplně vychladne, pak otevřete víčko plnicího otvoru (2), obraťte žehličku a vylijte zbytky vody.

ČIŠTĚNÍ PARNÍ KOMORY

Aby žehlička sloužila dlouho, doporučujeme pravidelně čistit parní komoru, zvláště pak v oblastech s tvrdou vodou.

- Dejte regulátor stálého přívodu páry (3) do polohy «0» (obr. 1).
- Naplňte nádržku (10) vodou do značky MAX (13).

Poznámka: Do nádržky na vodu v žádném případě nepoužívejte aromatizované tekutiny, ocet, škrobový roztok, odvápnovací prostředky, chemické látky atp.

- Dejte žehličku na spodek (8).
- Zapojte vidlici síťového kabelu do elektrické zásuvky.
- Otočením regulátoru (11) nastavte maximální teplotu ohřevu spodku žehličky «max», rozsvítí se indikátor (9).
- Až se žehlicí deska (14) rozehřeje na požadovanou teplotu, světlá kontrolka (9) zhasne. Dočkejte se opětovného ohřevu spodku žehličky, pak můžete čistit parní komoru.
- Vytáhněte vidlici napájecího kabelu z elektrické zásuvky.
- Umístěte žehličku vodorovně nad umyvadlem, stiskněte a podržte tlačítko samočisticího režimu („self-clean“) (12) (obr. 7).

- Vroucí voda a pára spolu s vodním kamenem bude vycházet z otvorů žehlicí desky (14).
- Zlehka houpejte žehličkou, dokud nádržka (10) se zcela nevyprázdní.
- Umístěte žehličku na spodek (8) a nechte ji úplně vychladnout.
- Až se žehlicí deska (14) úplně vychladne, utřete ji kouskem suché látky.
- Než uklidíte žehličku, přesvědčte se, že nádržka (10) je prázdná a žehlicí plocha (14) je suchá.

ČIŠTĚNÍ A ÚDRŽBA

- Před čištěním žehličky, přesvědčte se, že je odpojena od elektrické sítě a je vychlazená.
- Prošlapejte těleso žehličky lehkou látkou, nato propasírujte jeho do sucha.
- Usazeniny na žehlicí desce žehličky můžete odstranit hadříkem namočeným v octovém roztoku.
- Po odstranění usazenin vyleštěte povrch suchým hadříkem.
- Nepoužívejte k čištění žehlicí plochy a pláště žehličky abrazivní čisticí prostředky ani rozpouštědla.
- Nedopouštějte kontaktu žehlicí desky s ostrými kovovými předměty.

USKLADNĚNÍ

- Před uskladněním žehličky odpojte ji od sítě, provedte čištění přístroje a vylijte zbytky vody z nádržky (10).
- Nastavte regulátor teploty (11) do polohy ««minimum», a regulátor stálého přívodu páry (3) do polohy «0» (obr. 1).
- Přívodní kabel namotejte na držáky (8) (obr. 8).
- Uchovávejte žehličku ve svislé poloze v suchém a chladném místě mimo dosah dětí.

OBSAH BALENÍ

Žehlička – 1 kus
Merna nadobka – 1 ks.
Uživatelská příručka – 1 ks.

TECHNICKÉ CHARAKTERISTIKY

Napájení: 220-240 V ~ 50 Hz
Maximální příkon: 2500 W

Výrobce si vyhrazuje právo měnit charakteristiky přístroje bez předchozího upozornění.

Životnost přístroje – 3 roky

Záruka

Podrobné záruční podmínky poskytne prodejce přístroje. Při uplatňování nároků během záruční lhůty je třeba předložit doklad o zakoupení výrobku.



Tento výrobek odpovídá požadavkům na elektromagnetickou kompatibilitu, stanoveným direktivou 2004/108/EC a předpisem 2006/95/EC Evropské komise o nízkonapěťových přístrojích.

УКРАЇНЬСКА

- **Не користуйтеся праскою після її падіння, за наявності видимих пошкоджень або в разі протікання.**
- **Ставте праску на рівну стійку поверхню або користуйтеся стійкою прасувальною дошкою.**
- **При наповненні резервуару водою завжди виймайте вилку мережевого шнура з електричної розетки.**
- **Під час прасування кришка заливального отвору для води має бути закрита.**
- **Увага! Поверхні праски нагріваються під час роботи. Уникайте контакту відкритих ділянок шкіри з гарячими поверхнями праски або паром, що виходить, щоб уникнути здобуття опіків.**
- **Зливайте воду з резервуару лише після відключення праски від електричної мережі.**
- **Не залишайте праску, підключену до електричної мережі, без нагляду.**
- **Даний пристрій не призначений для використання дітьми молодше 8 років.**
- **Під час роботи і охолодження розміщуйте його у місці, недоступному для дітей молодше 8 років.**
- **Діти старше 8 років і люди з обмеженими можливостями можуть користуватися пристроєм лише в тому випадку, якщо вони перебувають під спостереженням особи, що відповідає за їх безпеку, яка дала їм повні і зрозумілі інструкції про безпечне користування пристроєм і тих небезпеках, які можуть виникати при його неправильному використанні.**

ПАРОВА ПРАСКА

Опис

1. Сопло розбризкувача води
2. Кришка заливального отвору
3. Регулятор постійної подачі пари
4. Клавiша додаткової подачі пари
5. Клавiша розбризкувача води
6. Ручка
7. Захист мережевого шнура
8. Основа праски
9. Індикатор умикання/вимикання нагрівального елемента
10. Резервуар для води
11. Регулятор температури
12. Кнопка режиму самоочищення «self-clean»
13. Показник максимального рівня води «max»
14. Підшва праски
15. Мірний стаканчик

ЗАХОДИ БЕЗПЕКИ

Перед початком експлуатації електроприладу уважно прочитайте цей посібник з експлуатації, та збережіть його для використання в якості довідкового матеріалу.

Використовуйте пристрій лише по його прямому призначенню, як викладено в даній інструкції. Неправильне поводження з приладом може привести до його поломки, спричинення шкоди користувачеві або його майну.

- Перед включенням переконайтеся, що напруга в електромережі відповідає робочій напрузі праски.
- Мережевий шнур забезпечений «євро вилкою»; включайте її в розетку, що має надійний контакт заземлення.
- Щоб уникнути ризику виникнення пожежі не використовуйте перехідники при підключенні приладу до електричної розетки.
- Щоб уникнути перевантаження електричної мережі не включайте одночасно декілька пристроїв з великою споживаною потужністю.
- Забороняється заливати в резервуар для води ароматизуючі рідини, оцет, розчин крохмалю, реагенти для видалення накипу, хімічні речовини тощо.
- Стежте, щоб мережевий шнур не знаходився на прасувальній дошці і не торкався гарячих поверхонь.
- В перервах під час роботи розміщуйте праску на основу (у вертикальне положення).
- Перед відключенням/підключенням праски до електричної мережі встановіть регулювальник температури у мінімальне положення і відключіть постійну подачу пару.

- Завжди відключайте пристрій від електричної мережі, якщо ви їм не користуєтесь.
- При відключенні праски від електричної мережі завжди тримайтеся за мережеву вилку, ніколи не тягніть за мережевий шнур.
- Щоб уникнути поразки електричним струмом і спалаху не занурюйте корпус пристрою, мережевий шнур і вилку мережевого шнура у воду або інші рідини.
- Перш ніж зібрати праску, дайте їй повністю остигнути і злийте залишки води.
- Щоб уникнути ураження електричним струмом, ніколи не розбирайте праску самотужки, при виявленні несправності звертайтеся до сервісного центру.
- З міркувань безпеки дітей не залишайте поліетиленові пакети, використовувані в якості упаковки, без нагляду.
- **Увага!** Не дозволяйте дітям грати з поліетиленовими пакетами або пакувальною плівкою. **Загроза ядухи!**
- Не дозволяйте дітям використовувати праску в якості іграшки.
- Зберігайте праску у вертикальному положенні в сухому прохолодному місці, недоступному для дітей і людей з обмеженими можливостями.

ПРИЛАД ПРИЗНАЧЕНИЙ ЛИШЕ ДЛЯ ПОБУТОВОГО ВИКОРИСТАННЯ

ПЕРЕД ПЕРШИМ ВИКОРИСТАННЯМ

Після транспортування або зберігання пристрою при зниженій температурі необхідно витримати його при кімнатній температурі не менше двох годин.

- Витягніть праску з упаковки, за наявності захисту на підшві (14) видаліть захист.
- Перевірте цілісність пристрою, за наявності пошкоджень не користуйтеся пристроєм.
- Переконайтеся, що напруга в електричній мережі відповідає робочій напрузі праски.

ФУНКЦІЯ АВТОВИМИКАННЯ

У даній моделі передбачено два режими автоматичного відключення праски.

1. Якщо праска в горизонтальному положенні буде нерухомою протягом 30 секунд, то нагрівальний елемент праски вимкнеться, при цьому ви почуєте звуковий сигнал. Після відновлення процесу прасування праска автоматично ввімкнеться.
2. Якщо праска у вертикальному положенні буде нерухомою протягом 8 секунд, нагрівальний елемент праски вимкнеться, при цьому ви почуєте звуковий сигнал. Після відновлен-

УКРАЇНЬСКА

ня процесу прасування праска автоматично вимкнеться.

ВИБІР ВОДИ

Для наповнення резервуару використовуйте водопровідну воду. Якщо водопровідна вода жорстка, то рекомендується змішувати її з дистильованою водою в співвідношенні 1:1, при дуже жорсткій воді змішуйте її з дистильованою водою в співвідношенні 1:2 або використовуйте тільки дистильовану воду.

НАПОВНЕННЯ РЕЗЕРВУАРУ ДЛЯ ВОДИ

Перш ніж залити воду в праску переконайтеся, що вона відключена від мережі.

- Установіть регулятор температури (11) в положення «мінімум», а регулятор постійної подачі пари (3) в положення «0» (мал. 1).
- Відкрийте кришку заливального отвору (2).
- Використовуючи мірний стаканчик (15), залийте воду в резервуар для води (10) (рис. 2), потім закрийте кришку (2).

Примітки:

- Забороняється заливати в резервуар для води (10) ароматизуючі рідини, оцет, розчин крохмалю, реагенти для видалення накипу, хімічні речовини тощо.
- Не наливайте воду вище за відмітку «max» (13).
- Якщо під час прасування необхідно доливати води, то спочатку слід вимкнути праску і вийняти вилку мережного шнура з розетки.

ТЕМПЕРАТУРА ПРАСУВАННЯ

- Завжди перед прасуванням речей дивіться на ярлик виробу, де вказана рекомендована температура прасування.
- Якщо ярлик з вказівками по прасуванню відсутній, але ви знаєте тип матеріалу, то для вибору температури прасування користуйтеся таблицею.

Позначення температури прасування	Тип тканини (температура)
•	Синтетика, нейлон, акрил, поліестер (низька температура)
••	Шовк/вовно (середня температура)
•••	Бавовна, льон (висока температура)
max	Максимальна температура

- Таблиця застосовна лише для гладких матеріалів. Якщо матеріал іншого типу (гофрований, рельєфний тощо), то краще всього його прасувати при низькій температурі.
- Спочатку відсортуйте речі по температурі прасування: синтетику - до синтетики, вовно - до вовна, бавовна - до бавовни і так далі
- Праска нагрівається швидше, ніж остигає. Тому спочатку рекомендується прасувати речі при низькій температурі (наприклад, синтетичні тканини).
- Потім переходить до прасування при вищих температурах (шовк, вовно). Вироби з бавовни та льону слід прасувати в останню чергу.
- Якщо до складу тканини входять сумішеві волокна, то необхідно встановити найнижчу температуру прасування (наприклад, якщо тканина складається з акрила і бавовни, то виріб слід прасувати при температурі, відповідній для акрила «•»).
- Якщо ви не можете визначити склад тканини, то знайдіть на виробі місце, яке не кидається в очі при носінні, і дослідним шляхом виберіть температуру прасування (завжди починайте з найнижчої температури і поступово підвищуйте її, поки не доб'єтеся бажаного результату).
- Вельветові і інші тканини, які швидко починають лиснітися, слід прасувати строго в одному напрямі (у напрямі ворсу) з невеликим натиском.
- Щоб уникнути появи лиснючих плям на синтетичних і шовкових тканинах, їх слід прасувати з виворітного боку.

УСТАНОВЛЕННЯ ТЕМПЕРАТУРИ ПРАСУВАННЯ

- Поставте праску на основу (8).
- Вставте вилку мережевого шнура в електричну розетку.
- Повертанням регулятора (11) встановіть необхідну температуру прасування: «•», «••», «•••» або «max» (мал. 3), залежно від типа тканини, при цьому засвітиться індикатор (9).
- Коли підшова праски (14) нагріється до встановленої температури, індикатор (9) згасне, можна приступати до прасування.

Примітка:

- При першому умиканні нагрівальний елемент праски обгорає, тому можлива поява стороннього запаху та невеликої кількості диму, це нормальне явище.

РОЗБРИЗКУВАЧ ВОДИ

- Ви можете зволожити тканину, натиснувши декілька разів на клавішу розбризкувача (5) (мал. 4).
- Переконайтеся, що в резервуарі (10) достатньо води.

СУХЕ ПРАСУВАННЯ

- Поставте праску на основу (8).
- Вставте вилку мережевого шнура в електричну розетку.
- Повертанням регулятора (11) установіть необхідну температуру прасування: «••», «•••», «••••» або «max» (мал. 3), залежно від типа тканини, при цьому спалахне індикатор (9).
- Установіть регулятор постійної подачі пари (3) в положення «0» (постійна подача пари вимкнена) (мал. 1).
- Коли температура підшови праски досягне встановленої температури, індикатор (9) згасне, можна приступати до прасування.
- Після використання праски установіть регулятор температури (11) в положення «minimum».
- Витягніть вилку мережевого шнура з розетки і діждіться повного охолодження праски.

ПАРОВЕ ПРАСУВАННЯ

Парове прасування можливо тільки при установленні регулятора температури (11) у положення «•••», «••••» або «max».

Праска забезпечена протикраплинним клапаном, який закриває подачу води при дуже низькій температурі підшови праски, це запобігає появі крапель з отворів підшови праски (14). При нагріванні та охолодженні підшови праски можна почути характерні клацання відкривання/закривання протикраплинного клапана, що свідчить про його нормальну роботу.

- Поставте праску на основу (8).
- Вставте вилку мережевого шнура в електричну розетку.
- Переконайтеся, що в резервуарі (10) достатньо води.
- Повертанням регулятора (11) установіть потрібну температуру прасування: - «•••», «••••» або «max», при цьому засвітиться індикатор (9).
- Коли підшова праски (14) нагріється до заданої температури, індикатор (9) згасне, можна приступати до прасування.
- Регулятором постійної подачі пари (3) установіть необхідну інтенсивність паротворення.
- У режимі постійної подачі пари пара з отворів підшови (14) буде виходити тільки у горизонтальному положенні праски. Для припинення подачі пари установіть праску у вертикальне положення або переведіть регу-

лятор постійної подачі пари (3) у положення «0».

- Після використання праски установіть регулятор температури (11) в положення «minimum», а регулятор постійної подачі пари (3) - в положення «0» (мал. 1).
- Витягніть вилку мережевого шнура з електричної розетки і дочекайтесь повного охолодження праски.

УВАГА!

Якщо під час роботи не відбувається постійної подачі пари, перевірте правильність положення регулятора температури (11), правильність положення регулятора постійної подачі пари (3) та переконайтеся, що в резервуарі (10) достатньо води.

ДОДАТКОВА ПОДАЧА ПАРИ

Функція додаткової подачі пари корисна при розгладженні складок і може бути використана лише при високотемпературному режимі прасування (коли регулятор температури (11) знаходиться в положенні «max»).

При натисненні клавіші додаткової подачі пари (4) з підшови праски інтенсивно виходитиме пара (мал. 5).

Примітка: Щоб уникнути витікання води з парових отворів натискуйте клавішу додаткової подачі пари (4) з інтервалом в 4-5 секунд.

Вертикальне відпарювання

Функція вертикального відпарювання може бути використана лише при високотемпературному режимі прасування (коли регулятор температури (11) знаходиться в положенні «max»).

Дочекайтесь розігрівання підшови праски, тримайте праску вертикально на відстані 10-30 см від одягу і натискуйте клавішу додаткової подачі пари (4) з інтервалом в 4-5 секунд, пар інтенсивно виходитиме з отворів с (мал. 6). Щоб уникнути утворення крапель води, не здійснюйте вертикальне відпарювання у момент нагрівання нагрівання (у цей час світиться індикатор (9)).

Важлива інформація

- Не рекомендується виконувати вертикальне відпарювання синтетичних тканин.
- При відпарюванні не торкайтеся підшовою праски до матеріалу, щоб уникнути його оплавлення.
- Ніколи не відпарюйте одяг, надітий на людину, оскільки температура пари, що виходить, дуже висока, користуйтеся плічками або вішалкою.

УКРАЇНЬСКА

- Після того, як ви закінчите прасувати, вимкніть праску, дочекайтесь її повного охолодження, після чого відкрийте кришку заливального отвору (2), переверніть праску і злийте залишки води.

ОЧИЩЕННЯ ПАРОВОЇ КАМЕРИ

Для збільшення терміну служби праски рекомендується регулярно виконувати очищення парової камери, особливо в регіонах з «твердою» водопровідною водою.

- Установіть регулятор постійної подачі пари (3) в положення «0» (мал. 1).
- Наповніть резервуар (10) водою до відмітки «max» (13).

Примітка: Забороняється заливати в резервуар для води ароматизуючі рідини, оцет, розчин крохмалю, реагенти для видалення накипу, хімічні речовини тощо.

- Поставте праску на основу (8).
- Вставте вилку мережевого шнура в електричну розетку.
- Повертання регулятора (11) установіть максимальну температуру нагрівання підшови праски «max», при цьому засвітиться індикатор (9).
- Коли підшов праски (14) нагріється до встановленої температури, індикатор (9) погасне. Дочекайтесь повторного розігрівання підшови праски, після цього можна проводити очищення парової камери.
- Витягніть вилку мережного шнура з електричної розетки.
- Розташуйте праску горизонтально над раковиною, натисніть та утримуйте кнопку «self-steam» (12) (мал. 7).
- Кипляча вода та пара разом з накипом будуть виходити з отворів підшови праски (14).
- Злегка похитуйте праску вперед і назад, поки вся вода не вийде з резервуару (10).
- Поставте праску на основу (8) і дайте їй повністю остигнути.
- Коли підшов праски (14) повністю охолоде, протріть її шматочком сухої тканини.
- Перш ніж прибрати праску на зберігання, переконайтеся, що в резервуарі (10) немає води, а підшов праски (14) суха.

ДОГЛЯД ТА ЧИЩЕННЯ

- Перш ніж чистити праску переконайтеся, що вона відключена від мережі і вже остигла.
- Протріть корпус праски злегка вологою тканиною, після цього витріть її насухо.
- Відкладення на підшові праски можуть бути видалені тканиною, змоченою у водно-оцтовому розчині.

- Після видалення відкладень протріть поверхню підшови сухою тканиною.
- Не використовуйте для чищення підшови та корпусу праски абразивні чистячі засоби та розчинники.
- Уникайте контакту підшови праски з гострими металевими предметами.

ЗБЕРІГАННЯ

- Перш ніж прибрати праску на зберігання, зробіть її чищення, видаліть залишки води з резервуару (10).
- Установіть регулятор температури (11) в положення «minimum», а регулятор постійної подачі пари (3) в положення «0» (мал. 1).
- Намотайте мережний шнур на основу праски (8) (мал. 8).
- Зберігайте праску у вертикальному положенні в сухому прохолодному місці, недоступному для дітей.

КОМПЛЕКТ ПОСТАЧАННЯ

Праска – 1 шт.
Мірний стаканчик – 1 шт.
Інструкція – 1 шт.

ТЕХНІЧНІ ХАРАКТЕРИСТИКИ

Електроживлення: 220-240 В ~ 50 Гц
Максимальна потужність: 2500 Вт

Виробник залишає за собою право змінювати характеристики приладу без попереднього повідомлення.

Термін служби приладу - 3 роки

Гарантія

Докладні умови гарантії можна отримати в дилера, що продав дану апаратуру. При пред'явленні будь-якої претензії протягом терміну дії даної гарантії варто пред'явити чек або квитанцію про покупку.



Даний виріб відповідає вимогам до електромагнітної сумісності, що пред'являються директивою 2004/108/EC Ради Європи й розпорядженням 2006/95/EC по низьковольтних апаратурах.

- **Не карыстайцеся прасам пасля яго падзення, пры наяўнасці бачных пашкодванняў ці ў выпадку праходжання.**
- **Стаўце прас на роўную, устойлівую паверхню, ці карыстайцеся устойлівай прасавальнай дошкай.**
- **Кожны раз пры напуўненні рэзервуара вадой заўсёды вымайце вілку сеткавага шнура з электрычнай разеткі.**
- **Вечка наліўной адтуліны павінна быць зачынена падчас прасавання.**
- **Увага! Паверхні праса падчас працы награваяцца. Пазбягайце кантакту адкрытых участкаў скуры з гарачымі паверхнямі праса ці выходзільнай парай, каб пазбегнуць атрымання апёкаў.**
- **Злівайце ваду з рэзервуара толькі пасля адключэння праса ад сеткі.**
- **Не пакідайце падлучаны да электрасеткі прас без нагляду.**
- **Дадзеная прылада не прызначана для выкарыстання дзецьмі малодшай 8 гадоў.**
- **Падчас працы і астывання праса змяшчайце яго ў месцы, недаступным для дзяцей, малодшых за 8 гадоў.**
- **Дзеці старэй 8 гадоў і людзі абмежаванымі магчымасцямі могуць карыстацца прыладай толькі ў тым выпадку, калі яны знаходзяцца пад наглядом асобы, якая адказвае за іх бяспеку і якая дала ім адпаведныя і зразумелыя інструкцыі пра бяспечнае выкарыстанне прылады і тых небяспехах, якія могуць узнікаць пры яе няправільным выкарыстанні.**

БЕЛАРУСКАЯ

ПАРАВЫ ПРАС

Апісанне

1. Сопла распырсквальніка вады
2. Вечка наліўноў адтуліны
3. Рэгулятар пастаяннай падачы пары
4. Клавіша дадатковай падачы пары
5. Клавіша распырсквальніка вады
6. Ручка
7. Абарона сеткавага шнура
8. Падстава праса
9. Індывідуальны выключэння/выключэння нагрэвальнага элемента
10. Рэзервуар для вады
11. Рэгулятар тэмпературы
12. Кнопка рэжыму самаачысткі «self-clean»
13. Паказальнік максімальнага ўзроўню вады «max»
14. Падэшва праса
15. Мерная шклянчачка

МЕРЫ БЯСПЕКИ

Перад пачаткам эксплуатацыі электрапрыбора ўважліва прачытайце дадзеную інструкцыю па эксплуатацыі і захавайце яе для выкарыстання ў якасці даведкавага матэрыялу.

Выкарыстоўвайце прыладу толькі па яе прамым прызначэнні, як выкладзена ў дадзенай інструкцыі. Няправільны зварот з прыладай можа прывесці да яе паломкі, прычыніць шкоду карыстанчу ці яго маёмасці.

- Перад уключэннем пераканайцеся ў тым, што напруга ў электрасеткі адпавядае працоўнай напрузе праса.
- Сеткавы шнур забяспечаны «еўравілкай»; уключайце «еўравілку» ў электрычную разетку, якая мае надзейны кантакт заземлення.
- Каб пазбегнуць рызыкі ўзнікнення пажару, не выкарыстоўвайце перахаднікі пры падлучэнні прылады да электрычнай разетки.
- Каб пазбегнуць перагрузкі электрычнай сеткі, не ўключайце адначасова некалькі прылад з вялікай спажыванай магутнасцю.
- Забараняецца заліваць у рэзервуар для вады араматызуючыя вадкасці, воцат, раствор крухмалу, рэагенты для выдалення шумавіння, хімічныя рэчывы і г.д.
- Сачыце, каб сеткавы шнур не знаходзіўся на прасавальнай дошцы і не дакранаўся да гарачых паверхняў.
- Падчас перапынкаў у працы размяшчайце прас на падставу (у вертыкальным становішчы).
- Перад адключэннем/падлучэннем праса да электрычнай сеткі ўсталяўце рэгулятар тэмпературы ў мінімальнае становішча і адключайце пастаянную падачу пары.
- Заўсёды адключайце прас ад сеткі, калі не карыстаецеся ім.
- Пры адключэнні праса ад электрычнай сеткі заўсёды трымайцеся за сеткавую вілку, ніколі не цягніце за сеткавы шнур.

- Каб пазбегнуць паразы электрычным токам, не апускайце прас, сеткавы шнур і вілку сеткавага шнура ў ваду ці ў любыя іншыя вадкасці.
- Перад тым як прыбраць прас, дайце яму цалкам астыць і зліце рэшткі вады.
- Каб пазбегнуць паразы электрычным токам, ніколі не разбірайце прас самастойна; пры выяўленні няспраўнасці звяртайцеся толькі ў аўтарызаваны сервісны цэнтр.
- З меркаванняў бяспекі дзяцей не пакідайце поліэтыленавыя пакеты, якія выкарыстоўваліся ў якасці пакавання, без нагляду.
- **Увага!** Не дазваляйце дзецям гуляць з поліэтыленавымі пакетамі ці ўпаковачнай плёнкай. **Небяспека ўдушша!**
- Не дазваляйце дзецям выкарыстоўваць прас у якасці цацкі.
- Захоўвайце прас у вертыкальным становішчы ў сухім, прахалодным месцы, недаступным для дзяцей і людзей з абмежаванымі магчымасцямі.

ПРЫЛАДА ПРЫЗНАЧАНА ТОЛЬКІ ДЛЯ БЫТАВОГА ВЫКАРЫСТАННЯ

ПЕРАД ПЕРШЫМ ВЫКАРЫСТАННЕМ

Пасля транспартавання ці захоўвання прылады пры паніжанай тэмпературы неабходна вытрымаць яго пры пакаёвай тэмпературы не меней дзвюх гадзін.

- Выміце прас з пакавання, пры наяўнасці абароны на падэшве (14) выдаліце абарону.
- Праверце цэласнасць прылады, пры наяўнасці пашкоджанняў не карыстайцеся прасам.
- Пераканайцеся, што напруга ў электрычнай сетцы адпавядае працоўнай напрузе праса.

ФУНКЦЫЯ АЎТААДКЛЮЧЭННЯ

У дадзенай мадэлі прадугледжаны два рэжымы аўтаматычнага адключэння праса.

1. Калі прас у гарызантальным становішчы будзе нерухомым на працягу 30 секунд, тады нагрэвальны элемент праса адключыцца, пры гэтым вы пачуеце гукавыя сігналы. Пасля аднаўлення працэсу прасавання прас аўтаматычна ўключыцца.
2. Калі прас у вертыкальным становішчы будзе нерухомым на працягу 8 хвілін, тады нагрэвальны элемент праса адключыцца, пры гэтым вы пачуеце гукавыя сігналы. Пасля аднаўлення працэсу прасавання прас аўтаматычна ўключыцца.

ВЫБАР ВАДЫ

Для напам'янення рэзервуара выкарыстоўвайце вадаправодную ваду. Калі вадаправодная вада цвёрдая, то рэкамендуецца змешваць яе з дыстыляванай вадой у суадносінах 1:1, пры вельмі цвёрдай вадзе змешвайце яе з дыстыляванай вадой у суадносінах 1:2 ці выкарыстоўвайце толькі дыстыляваную ваду.

НАПАЎНЕННЕ РЭЗЕРВУАРА ДЛЯ ВАДЫ

Перш чым заліць ваду ў прас, пераканайцеся ў тым, што ён адключаны ад сеткі.

- Усталюйце рэгулятар тэмпературы (11) ў становішча «minimum», а рэгулятар пастаяннай падачы пары (3) ў становішча «0» (мал. 1).
- Адкрыйце вэчка залівальнай адтуліны (2).
- Выкарыстоўваючы мерную шкляначку (15), заліце ваду у рэзервуар (10) (мал. 2), затым ззачыніце вэчка (2).

Напаткі:

- Забараняецца заліваць у рэзервуар для вады (10) араматызуючыя вадкасці, воцат, раствор крухмалу, рэагенты для выдалення шумавіння, хімічныя рэчывы і г.д.
- Не налівайце ваду вышэй адзнакі «max» (13).
- Калі падчас прасавання неабходна даліць ваду, то варта спачатку адключыць прас і выняць вілку сеткавага шнура з разетки.

ТЭМПЕРАТУРА ПРАСАВАННЯ

- Кожны раз перад прасаваннем рэчаў глядзіце на цэтлік выраба, дзе паказана рэкамендуемая тэмпература прасавання.
- Калі цэтлік з указаннямі па прасаванні адсутнічае, але вы ведаеце тып матэрыялу, то для выбару тэмпературы прасавання карыстайцеся табліцай.

Пазначэнні тэмпературы прасавання	Тып тканіны (тэмпература)
.	Сінтэтыка, нейлон, акрыл, поліэстэр (нізкая тэмпература)
..	Шоўк/поўсць (сярэдня тэмпература)
...	Бавоўна, лён (высокая тэмпература)
max	Максімальная тэмпература

- Табліца ўжывальна толькі для гладкіх матэрыялаў. Калі матэрыял іншага тыпу (гафраваны, рэльефны і г.д.), то лепш за ўсё яго прасаваць пры нізкай тэмпературы.
- Спачатку адсартуйце рэчы па тэмпературы прасавання: сінтэтыку да сінтэтыкі, поўсць да поўсці, бавоўна да бавоўны і г.д.
- Прас нагрываецца хутчэй, чым астывае. Таму спачатку рэкамендуецца прасаваць рэчы пры нізкай тэмпературы (напрыклад, сінтэтычныя тканіны).
- Затым прыступайце да прасавання пры больш высокіх тэмпературах (шоўк, поўсць). Вырабы з бавоўны і лёну варта прасаваць ў апошнюю чаргу.
- Калі ў склад тканіны ўваходзяць змешаныя валокны, то неабходна ўсталяваць самую нізкую

тэмпературу прасавання (напрыклад, калі выраб складаецца з акрылу і з бавоўны, тое яго варта прасаваць пры тэмпературы, падыходнай для акрылу «*»).

- Калі вы не можаце вызначыць склад тканіны, то знайдзіце на вырабе месца, якое не прыкметна пры нашэнні, і шляхам эксперыменту абярыце тэмпературу прасавання (заўсёды пачынайце з самай нізкай тэмпературы і паступова павялічвайце яе, пакуль не даможацца жаданага выніку).
- Вельветавыя і іншыя тканіны, якія хутка пачынаюць ільсніцца, варта прасаваць строга ў адным кірунку (у кірунку ворса) з невялікім націскам.
- Каб пазбегнуць з'яўлення льсьняных плям на сінтэтычных і шаўковых тканінах, іх варта гладзіць са сподняга боку.

УСТАЛЁўКА ТЭМПЕРАТУРЫ ПРАСАВАННЯ

- Пастаўце прас на падставу (8).
- Устаўце вілку сеткавага шнура ў электрычную разетку.
- Завароткам рэгулятара (11) усталюйце патрабаваную тэмпературу прасавання: «*», «*•», «*••» ці «max» (мал. 3) у залежнасці ад тыпу тканіны, пры гэтым загарыцца індыкатар (9).
- Калі падэшка праса (14) нагрэецца да ўсталяванай тэмпературы, індыкатар (9) загасне, можна прыступаць да прасавання.

Напатка:

- Пры першым уключэнні нагрывальны элемент праса абгарае, таму магчыма з'яўленне старонняга паху і невялікай колькасці дыму, гэта звычайная з'ява.

РАСПЫРСКВАЛЬНІК ВАДЫ

- Вы можаце завільгатніць тканіну, націснуўшы некалькі разоў на клавішу распырсквальніка (5) (мал.4).
- Пераканайцеся, што ў рэзервуары (10) досыць воды.

СУХОЕ ПРАСАВАННЕ

- Пастаўце прас на падставу (8).
- Устаўце вілку сеткавага шнура ў электрычную разетку.
- Завароткам рэгулятара (11) усталюйце патрабаваную тэмпературу прасавання: «*», «*•», «*••» ці «max» (мал. 3) у залежнасці ад тыпу тканіны, пры гэтым загарыцца індыкатар (9).
- Усталюйце рэгулятар пастаяннай падачы пары (3) у становішча «0» (пастаянная падача пары выключана) (мал. 1).
- Калі тэмпература падэшвы праса дасягне зададзенай, індыкатар (9) загасне, можна прыступаць да прасавання.

БЕЛАРУСКАЯ

- Пасля выкарыстання праса ўсталююць рэгулятар тэмпературы (11) у становішча «minimum».
- Выміце вілку сеткавага шнура з разеткі і дачакайцеся поўнага астывання праса.

ПАРАВОЕ ПРАСАВАННЕ

Паравое прасавання магчыма толькі пры ўсталёўцы рэгулятара тэмпературы (11) у становішча «...», «...» ці «max».

Прас забяспечаны супрацькроплевым клапанам, які зачыняе падачу вады пры занізкай тэмпературы падэшвы праса, гэта прадухіляе з'яўленне кропель з адтулін падэшвы праса (14). Пры нагрыванні і астыванні падэшвы праса можна пачуць характэрныя пстрычкі адчынення/зачынення супрацькроплевага клапана, што сведчыць пра яго звычайную працу.

- Пастаўце прас на падставу (8).
- Устаўце вілку сеткавага шнура ў электрычную разетку.
- Пераканайцеся ў тым, што ў рэзервуары (10) досыць вады.
- Завароткам рэгулятара (11) усталююць патрабаваную тэмпературу прасавання: - «...», «...» ці «max», пры гэтым загарыцца індыкатар (9).
- Калі падэшва праса (14) нагрэецца да зададзенай тэмпературы, індыкатар (9) загасне, можна прыступаць да прасавання.
- Рэгулятарам пастаяннай падачы пары (3) усталююць неабходную інтэнсіўнасць параўтварэння.
- У рэжыме пастаяннай падачы пара пар з адтулін падэшвы (14) будзе выходзіць толькі ў гарызантальным становішчы праса. Для спынення падачы пара ўсталююць прас ў вертыкальнае становішча або перавядзіце рэгулятар пастаяннай падачы пары (3) у становішча «0».
- Пасля выкарыстання праса ўсталююць рэгулятар тэмпературы (11) ў становішча «minimum», а рэгулятар пастаяннай падачы пары (3) - ў становішча «0» (мал. 1).
- Выміце вілку сеткавага шнура з электрычнай разеткі і дачакайцеся поўнага астывання праса.

ЎВАГА!

Калі падчас працы не адбываецца пастаяннай падачы пары, правярце правільнасць становішча рэгулятара тэмпературы (11), правільнасць становішча рэгулятара пастаяннай падачы пары (3) і пераканайцеся ў тым, што ў рэзервуары (10) дастаткова вады.

ДАДАТКОВАЯ ПАДАЧА ПАРЫ

Функцыя дадатковай падачы пары карысная пры разглажванні зморшчын і можа быць скарыстана толькі пры высокатэмпературным рэжыме прасавання (калі рэгулятар тэмпературы (11) у становішчы «max»).

Пры націску кlawішы дадатковай падачы пары (4) з падэшвы праса будзе інтэнсіўна выходзіць пару (мал. 5).

Наватка: Каб пазбегнуць выцякання вады з паравых адтулін, націскайце кlawішу дадатковай падачы пары (4) з інтэрвалам у 4-5 секунд.

ВЕРТЫКАЛЬНАЕ АДПАРВАННЕ

Функцыя вертыкальнага адпарвання можа быць скарыстана толькі пры высокатэмпературным рэжыме прасавання (калі рэгулятар тэмпературы (11) у становішчы «max»).

Дачакайцеся разагрэву падэшвы праса, трымайце прас вертыкальна на адлегласці 10-30 см ад адзежы і націскайце кlawішу падачы пары (4) з інтэрвалам у 4-5 секунд, пара будзе інтэнсіўна выходзіць з падэшвы праса (мал. 6). Каб пазбегнуць адукацыі кропель вады, не праводзіце вертыкальнае адпарванне ў момант нагрэву падэшвы праса (у гэты час гарыць індыкатар (9)).

Важная інфармацыя

- Не рэкамендуецца выконваць вертыкальнае адпарванне сінтэтычных тканін.
- Пры адпарванні не датыкайцеся падэшвай праса да матэрыялу, каб пазбегнуць яго аплаўлення.
- Ніколі не адпарвайце адзежу, апанутую на чалавека, бо тэмпература выходзільнай пары вельмі высокая, карыстайцеся плечкамі ці вешалкай.
- Пасля таго як вы скончыце гладзіць, выключыце прас, дачакайцеся яго поўнага астывання, пасля чаго адкрыйце вёчка залівальнай адтуліны (2), перавярніце прас і зліце рэшткі вады.

АЧЫСТКА ПАРАВОЙ КАМЕРЫ

Для павелічэння тэрміна службы праса рэкамендуецца рэгулярна выконваць ачыстку паравой камеры, асабліва ў рэгіёнах з «цвёрдай» вадаправоднай вадой.

- Усталююць рэгулятар пастаяннай падачы пары (3) ў становішча «0» (мал. 1).
- Напоўніце рэзервуар (10) вадой да адзнакі «max» (13).

Наватка: Забараняецца заліваць у рэзервуар для вады аграматызуючыя вадкасці, воцат, раствор кружмалу, рэагенты для выдалення шумавіння, хімічныя рэчывы і г.д.

Пастаўце прас на падставу (8).

- Устаўце вілку сеткавага шнура ў электрычную разетку.
- Завароткам рэгулятара (11) усталююць максімальную тэмпературу нагрэву падэшвы праса «max», пры гэтым загарыцца індыкатар (9).
- Калі падэшва праса (14) нагрэецца да ўсталяванай тэмпературы, індыкатар (9) загасне. Дачакайцеся паўторнага разагрэву падэшвы праса пасля гэтага можна праводзіць ачыстку паравой камеры.

- Выміце вілку сеткавага шнура з электрычнай разетки.
- Размясціце прас гарызантальна над ракавінай, націсніце і ўтрымлівайце кнопку «self-clean» (12) (мал. 7).
- Кіпячая вада і пара разам з шумавіннем будуць выкідвацца з адтулін падэшвы праса (14).
- Злёгка калышыце прас наперад назад, пакуль уся вада не выйдзе з рэзервуара (10).
- Пастаўце прас на падставу (8) і дайце яму цалкам астыць.
- Калі падэшва праса (14) цалкам астыне, пратрыце яе кавалачкам сухой тканіны.
- Перш чым прыбраць прас на захоўванне, пераканайцеся ў тым, што ў рэзервуары (10) няма вады, а падэшва праса (14) сухая.

ДОГЛЯД І ЧЫСТКА

- Перш чым чысціць прас, пераканайцеся ў тым, што ён адключаны ад электрычнай сеткі і ўжо астыў.
- Пратрыце корпус праса злёгка вільготнай тканінай, пасля гэтага пратрыце яго насуха.
- Адклады на падэшве праса могуць быць выдалены тканню, змочанай у водна-воцатным раствору.
- Пасля выдалення адкладаў пратрыце паверхню падэшвы сухой тканінай.
- Не выкарыстоўвайце для чысткі падэшвы і корпуса праса абразіўныя сродкі для чысткі і растваральнікі.
- Пазбягайце кантакту падэшвы праса з вострымі металічнымі прадметамі.

ЗАХОЎВАННЕ

- Перш чым прыбраць прас на захоўванне, правядзіце яго чыстку, зліце рэшткі вады з рэзервуара (10).
- Усталюйце рэгулятар тэмпературы (11) ў становішча «minimum», а рэгулятар пастаяннай падачы пары (3) ў становішча «0» (мал. 1).

- Сеткавы шнур наматайце на падставу праса (8) (мал. 8).
- Захоўвайце прас у вертыкальным становішчы ў сухім, прахалодным месцы, недаступным для дзяцей.

КАМПЛЕКТ ПАСТАЎКІ

Прас - 1 шт.
Мерная шкляначка - 1 шт.
Інструкцыя – 1 шт.

ТЭХНІЧНЫЯ ХАРАКТАРЫСТЫКІ

Электрасілкаванне: 220-240 В ~ 50 Гц
Максімальная спажываная магутнасць: 2500 Вт

Вытворца пакідае за сабой права змяняць характарыстыкі прыбора без папярэдняга апавяшчэння.

Тэрмін службы прыбора - 3 гады.

Гарантыя

Падрабязнае апісанне умоў гарантыйнага абслугоўвання могуць быць атрыманы ў таго дылера, ў якога была набыта тэхніка. Пры звароце за гарантыйным абслугоўваннем абавязкова павінна быць прад'яўлена купчая альбо квітанцыя аб аплаце.



O'ZBEKCHA

- **Tushib ketgan, biror joyi buzilgani ko'rinib turgan yoki suv oqayotgan dazmolni ishlatmang.**
- **Dazmolni tekis, qimirlamaydigan joyga qo'ying yoki dazmol taxta ishlating.**
- **Suv idishini to'ldirishdan oldin albatta elektr shnurini rozetkadan chiqarib qo'ying.**
- **Dazmol qilinayotganda suv quyadigan joy qopqog'i yopiq bo'lishi kerak.**
- **Diqqat! Ishlayotganda dazmol sirti qizib ketadi. Kuyib qolmaslik uchun terining ochiq joylariga dazmol yuzasi yoki chiqayotgan bug' tegishidan ehtiyot bo'ling.**
- **Suv idishida qolgan suvni faqat dazmol elektrdan ajratilgandan keyin to'king.**
- **Elektrga ulangan dazmolni qarovsiz qoldirmang.**
- **Jihoz 8 yoshga to'lmagan bolalarning ishlatishiga mo'ljallanmagan.**
- **Ishlatilayotgan, sovuyotgan dazmolni 8 yoshga to'lmagan bolalarning qo'li yetmaydigan joyga qo'ying.**
- **Ularning xavfsizligi uchun javob beradigan inson qarab turganda va bunday inson ularga jihazni xavfsiz ishlatish qoidalarini to'liq va tushunarli qilib o'rgatgan, noto'g'ri ishlatilganda qanday xavf bo'lishi mumkinligini tushuntirgan bo'lsagina 8 yoshdan katta bolalar va imkoniyati cheklangan insonlar dazmolni ishlatishlari mumkin.**

BUG'LI DAZMOL

Qismlari

1. Suv purkash joyi
2. Suv quyish joyi qopqog'i
3. Doimiy bug' berilishini o'zgartiradigan murvat
4. Qo'shimcha bug' berish tugmasi
5. Suv purkash tugmasi
6. Dastak
7. Elektr shnur himoyasi
8. Dazmol asosi
9. Qizitgich ishlayotgani/o'chirilganini ko'rsatadigan chiroq
10. Suv idishi
11. Haroratni o'zgartiradigan murvat
12. O'zini tozalaydigan tugma «self-clean»
13. Suv ko'pligini ko'rsatadigan «max» chizig'i
14. Dazmollash joyi
15. O'lchov idishi

EHTIYOT CHORALARI

Elektr jihozini ishlatishdan oldin qo'llanmasini diqqat bilan o'qib chiqing, keyinchalik kerak bo'lganda o'qib bilish uchun qo'llanmasini saqlab olib qo'ying.

Jihozni faqat bevosita maqsadiga muvofiq, qo'llanmasida aytilgandek ishlatning. Jihoz noto'g'ri ishlatilsa buzilishi, foydalanuvchi yoki uning mulkiga zarar qilishi mumkin.

- Ishlatishdan oldin elektr manbaidagi tok kuchi dazmol ishlaydigan tok kuchiga to'g'ri kelishini tekshirib ko'ring.
- Elektr shnuriga Yevropa standartidagi vilka ulangan; uni yerga ishonchli tutashgan rozetkaga ulang.
- Yong'in chiqmasligi uchun jihozni rozetkaga ulaganda o'tkazgich ishlatmang.
- Elektr manbaiga ortiqcha yuk tushmasligi uchun ko'p quvvat bilan ishlaydigan bir nechta jihozni bir vaqtda ishlatmang.
- Suv idishiga xushbo'y moddalar, sirka, kraxmal eritmasi, quyqa tozalaydigan reagentlar, kimyoviy moddalar va hk. solish ta'qiqlanadi.
- Elektr shnuri dazmol taxtada bo'lmasligi, qizigan yuzalarga tegmasligiga qarab turing.
- Dazmollash vaqtida tanaffus qilsangiz dazmolni (tik qilib) asosiga qo'ying.
- Dazmolni elektr manbaiga ulashdan/ajratishdan oldin harorat murvatini eng kam tomonga o'tkazib, doimiy bug' chiqishini o'chirib qo'ying.
- Ishlatilmayotgan bo'lsa dazmolni albatta elektrdan ajratib qo'ying.
- Dazmolni elektrdan ajratganda elektr shnuridan emas, albatta elektr vilkasidan ushlab toring.
- Tok urmasligi uchun dazmolni, elektr shnurini, elektr vilkasini suvga yoki boshqa suyuqlikka solmang.

- Olib qo'yishdan oldin dazmol to'liq sovushini kutib turing, qolgan suvini to'kib tashlang.
- Tok urmasligi uchun dazmolni o'zingiz ochmang; biror joyi buzilgan bo'lsa faqat vakolatli xizmat markaziga olib boring.
- Bolalarni ehtiyot qilish uchun o'rashga ishlatilgan polietilen xaltalarni qarovsiz qoldirmang.
- **Diqqat!** Bolalar polietilen xalta yoki o'rashga ishlatilgan plyonkani o'ynashlariga ruxsat bermang. **Bo'g'irish xavfi bor!**
- Bolalar jihozni o'yinchoq qilib o'ynashlariga ruxsat bermang.
- Jihozni tik qo'yib quruq, salqin, bolalar va imkoniyati cheklangan insonlarning qo'li yetmaydigan joyga olib qo'ying.

JIHOZ FAQAT UYDA ISHLATISHGA MO'LJALLANGAN

BIRINCHI MARTA ISHLATISHDAN OLDIN

Jihoz sovuqda olib kelingan yoki turgan bo'lsa ishlatishdan oldin kamida ikki soat xona haroratida turishi krak.

- Dazmolni qutisidan oling, agar dazmollash joyiga (14) himoya qilish uchun qog'oz yopishtirilgan bo'lsa, olib tashlang.
- Butunligini tekshirib ko'ring, biror joyi shikastlangan bo'lsa ishlatmang.
- Elektr tarmog'idagi quvvat dazmol ishlaydigan quvvatga to'g'ri kelishini tekshirib ko'ring.

O'zi o'chish xususiyati

Dazmolning bu modeli ikki xil usul bilan o'zi o'chadi

1. Agar yotqizib qo'yilgan dazmol 30 sekund harakatsiz tursa dazmol qizdirgichi o'chadi, ovoz eshitiladi. Dazmollash boshlanganidan keyin dazmol yana o'zi ishlab ketadi.
2. Agar tik qo'yilgan dazmol 8 daqiqa harakatsiz tursa dazmol qizdirgichi o'zi o'chadi, ovoz eshitiladi. Dazmollash boshlanganidan keyin dazmol yana ishlab ketadi.

Suv tanlash

Suv idishiga jo'mrakdan olingan suv quyiladi. Agar jo'mrakdan keladigan suv qattiq bo'lsa uni 1:1 ulushda distillangan suv bilan aralashtirish tavsiya qilinadi, suv juda qattiq bo'lsa 1:2 ulushda distillangan suv bilan aralashtiriladi yoki faqat distillangan suv ishlatiladi.

Suv idishiga suv solish

Suv solishdan oldin dazmolni elektrdan ajratib qo'ying.

- Haroratni o'zgartiradigan murvatini (11) «minimum» tomonga o'tkazib qo'ying, doimiy bug' berish murvatini (3) esa «0» (doimiy bug' berish o'chirilgan) tomonga o'tkazib (1-rasm).
- Suv idish qopqog'ini (2) oching

O'ZBEKCHA

- O'lchov idishi (15) bilan suv idishiga (10) suv quyung (2-rasm), so'ng qopqog'ini (2) yoping.

Eslatma:

- *Suv idishiga (10) xushbo'y suyuqlik, sirka, kraxmal eritmasi, quyqa tozalaydigan reagentlar, kimyoviy vositalar va hk. quyish ta'qiqlanadi.*
- *Suvni «max» chizig'idan (13) oshirib quyvang.*
- *Agar dazmollayotganda yana suv quyish kerak bo'lsa, oldin dazmolni o'chiring, keyin elektr vilkasini rozetkadan chiqarib oling.*

Dazmollash harorati

- Har safar kiyim dazmollashdan oldin albatta tavsiya etilgan dazmollash harorati ko'rsatilgan yorlig'ini qarab ko'ring.
- Agar dazmollash harorati ko'rsatilgan yorlig'i bo'lmasa, lekin matoni bilsangiz, dazmollash haroratini jadvalga qarab qo'ying.

Dazmollash haroratining belgilanishi	Mato turi (harorat)
.	Sintetika, neylon, akril, poliester (past harorat)
..	Shohi/jun (o'rtacha harorat)
...	Paxta/zig'ir (baland harorat)
max	Eng baland harorat

- Jadvalga qarab faqat tekis matolarni dazmollash mumkin. Agar mato boshqacha (to'lqinsimon, qabariq va hk.) bo'lsa uni pastroq haroratda dazmollagan yaxshi.
- Kiyimlarni oldin dazmollanadigan haroratiga qarab ajratib chiqing: sun'iy tolali matolar alohida, junli matolar alohida va paxtali va hk. matolar alohida qilib ajratiladi.
- Dazmol tez qizib sekin soviydi. Shuning uchun oldin pastroq haroratda dazmollanadigan (misol uchun, sun'iy tolali) kiyimlarni dazmollash tavsiya qilinadi.
- So'ng balandroq haroratda dazmollanadigan (shoyi, junli) matolarga o'tiladi. Paxta va zig'ir tolali matolar oxirida dazmollanadi.
- Agar mato aralash tolali bo'lsa dazmollash haroratini eng pastga qo'yish kerak (misol uchun, akril bilan paxta tolali kiyim akrilga to'g'ri keladigan haroratda dazmollanadi «..»).
- Agar kiyim mato bilan ishlatilgan to'lani bilmasangiz kiyganda ko'rinmaydigan joyini dazmollab ko'ring (doyim pastroq haroratdan boshlab dazmollang va to' yaxshi dazmollanguncha haroratini oshirib borasiz).

- Tez yaltirab qoladigan chiyduxoba va boshqa matolarni faqat bir tomonga (tviti yotgan tomonga) qaratib, dazmolni bosmasdan dazmollash kerak.
- Sun'iy va shoyi matolar yaltirab qolmasligi uchun teskarisidan dazmollang.

Dazmollash haroratiga qo'yish

- Dazmolni asosiga (8) qo'ying.
- Elektr vilkasini rozetkaga ulang.
- Murvatini (11) kerakli dazmollash haroratiga burab qo'ying: matoga qarab harorat «*», «**», «***» yoki «max» ga qo'yiladi (3-rasm), shunda ishlayotganini ko'rsatadigan chirog'i (9) yonadi.
- Dazmollash joyi (14) belgilangan haroratgacha qiziganidan keyin ishlayotganini ko'rsatadigan chirog'i (9) o'chadi, shunda dazmollashni boshlash mumkin.

Eslatma:

- *Birinchi marta ishlatilganda dazmol qizitgichi kuyadi, shuning uchun bir oz hid bilan tutun chiqishi tabiiy.*

Suv purkagich

- Suv purkash tugmasini (5) ketma-ket bosib matoni xo'llashingiz mumkin (4-rasm).
- Suv idishida (10) suv yetarli ekanini qarab ko'ring.

Quruq dazmollash

- Dazmolni asosiga (8) qo'ying.
- Elektr vilkasini rozetkaga ulang.
- Murvatini (11) kerakli dazmollash haroratiga burab qo'ying: matoga qarab harorat «*», «**», «***» yoki «max» ga qo'yiladi (3-rasm), shunda ishlayotganini ko'rsatadigan chirog'i (9) yonadi.
- doimiy bug' berishni o'zgartiradigan murvatini (3) «0» (doimiy bug' berish o'chirilgan) tomonga o'tkazib qo'ying (1-rasm).
- Dazmollash joyi belgilangan haroratgacha qiziganidan keyin ishlayotganini ko'rsatadigan chirog'i (9) o'chadi, shunda dazmollashni boshlash mumkin.
- Dazmollab bo'lgandan keyin haroratni o'zgartiradigan murvatini (11) «minimum» tomonga o'tkazib qo'ying.
- Elektr vilkasini rozetkadan chiqarib oling, dazmol to'liq sovushini kutib turing.

Bug' bilan dazmollash

- Haroratni o'zgartiradigan murvati (11) «**», «***» yoki «**max**» tomondan tursagina bug' bilan dazmollash mumkin.
- Dazmolga tomchi tomizmaydigan klapan qo'yilgan, dazmollash joyidagi harorat tushib ketganda klapan yopilib dazmollash joyidan (14) tomchi tomizmaydi. Dazmollash joyi qiziganda, sovuganda tomchi

tomizmaydigan klapan shiqillab ochilgani/yopilgani eshilib me'yorida ishlayotganini bildirib turadi.

- Dazmolni asosiga (8) qo'ying.
- Elektr vilkasini rozetkaga ulang.
- Suv idishida (10) suv yetarli ekanini qarab ko'ring.
- Haroratni o'zgartiradigan murvatini (11) bug' bilan ishlaydigan tomonga burab qo'ying: «••», «•••» yoki «max» tomonda bo'lishi kerak, shunda ishlayotganini ko'rsatadigan chirog'i (9) yonadi.
- Dazmollash joyi (14) belgilangan haroratgacha qiziganidan keyin ishlayotganini ko'rsatadigan chirog'i (9) o'chadi, shunda dazmollashni boshlash mumkin.
- Doimiy bug' berishni o'zgartiradigan murvatini (3) kerakli bug' chiqish tomonga o'tkazib qo'ying.
- Doimiy bug' berish usulida dazmol yotiq bo'lgandagina dazmollash joyidan (14) bug' chiqadi. Bug' chiqishini to'xtatish uchun dazmolni tik qo'ying yoki doimiy bug' berishni o'zgartiradigan murvatini (3) «0» tomonga o'tkazib qo'ying.
- Dazmollab bo'lgandan keyin haroratni o'zgartiradigan murvatini (11) «minimum» tomonga, doimiy bug' berishni o'zgartiradigan murvatini (3) «0» tomonga o'tkazib qo'ying (1-rasm).
- Elektr vilkasini rozetkadan chiqarib oling, dazmol sovushini kutib turing.

Diqqat!

Agar ishlayotganda bug' doim chiqib turmasa haroratni o'zgartiradigan murvati (11) bilan bug' chiqishini o'zgartiradigan murvati (3) to'g'ri turganini va suv idishda (10) suv borligini qarab ko'ring.

Qo'shimcha bug' berish

Qo'shimcha bug' berish xususiyati kiyimdagi buklanib qolgan joylarni tekislash uchun, faqat baland dazmollash haroratida ishlatiladi (haroratni o'zgartiradigan murvati (11) «max» tomonda bo'lishi kerak).

Qo'shimcha bug' berish tugmasi (4) bosilganda dazmollash joyidan ko'p bug' chiqa boshlaydi (5-rasm).

Eslatma: Bug' chiqadigan joyidan suv oqmasligi uchun qo'shimcha bug' berish tugmasini (4) 4-5 sekund orasida bosing.

Tik bug'lash

Dazmollash harorati baland bo'lgandagina (haroratni o'zgartirish murvati (11) «max» tomonda bo'lishi kerak) tik bug'lash mumkin.

Dazmollash joyi qizishini kutib turing, dazmolni kiyimdan taxminan 10-30 cm narida tik ushlab, 4-5 sekund oraliqda qo'shimcha bug' beradigan tugmasini (4) bosib turing, dazmollash joyidan ko'p bug' chiqa boshlaydi (6-rasm). Tomchi tushmasligi

uchun dazmollash joyi qiziyotganda tik bug'lamang (chirog'i (9) yonib turgan bo'ladi).

Muhim ma'lumot

- Sun'iy matoni tik bug'lash tavsiya qilinmaydi.
- Tik bug'laganda, kuyib qolmasligi uchun, dazmollash joyini matoga tekizmang.
- Hech qachon odam ustidagi kiyimni bug'lamang, sababi dazmoldan chiqayotgan bug' juda issiq bo'ladi, ilmoq yoki ilgich ishlatang.
- Dazmollab bo'lgandan keyin dazmolni o'chiring, to'liq sovushini kutib turing, so'ng suv quyish joyi qopqog'ini (2) oching, dazmolni ag'darib qolgan suvini to'kib tashlang.

Bug'lash bo'lmasini tozalash

Dazmol ishlash muddatini uzaytirish uchun, ayniqsa jo'mrakdan keladigan suv «qattiq» bo'ladigan joylarda, bug'lash bo'lmasini doim tozalab turish tavsiya etiladi.

- Doimiy bug' berishni o'zgartiradigan murvatini (3) «0» (bug' berish o'chirilgan) tomonga o'tkazib qo'ying (1-rasm)
- «max» (13) chizig'iga yetguncha suv idishiga (10) suv quyung.

Eslatma: Suv idishiga xushbo'y suyuqlik, sirka, kraxmal eritmasi, quyqa tozalaydigan reagentlar, kimyoviy vositalar va hk. quyish ta'qiqlanadi.

- Dazmolni asosiga (8) qo'ying.
- Elektr vilkasini rozetkaga ulang.
- Murvatini (11) «max» tomonga burab dazmollash haroratini eng baland qilib qo'ying, shunda chirog'i (9) yonadi.
- Dazmollash joyi (14) belgilangan haroratgacha qizigandan keyin chirog'i (9) o'chadi. Dazmollash joyi yana qizishini kutib turing, shundan so'ng bug'lash kamerisini tozalash mumkin.
- Elektr vilkasini rozetkadan chiqarib oling.
- Dazmolni yotqizib qo'l yuvgich ustida ushlab turing, o'zini tozalaydigan «self-clean» tugmasini (12) bosing (7-rasm).
- Quyqa qaynoq suv bilan bug'ga qo'shilib dazmollash joyidagi (14) bug' chiqadigan joydan chiqib ketadi.
- Suv idishdagi (10) suvning hammasi chiqib ketguncha dazmolni bir oz chayqatib turing.
- Dazmolni asosiga (8) qo'yib to'liq sovushini kutib turing.
- Dazmollash joyi (14) sovugandan keyin uni quruq mato bilan artib oling.
- Dazmolni saqlashga olib qo'yishdan oldin, suv idishida (10) suv yo'qligini, dazmollash joyi (14) quruq ekanini qarab ko'ring.

Tozalash va ehtiyot qilish

- Tozalashdan oldin dazmolni albatta elektrdan uzib, sovushini kutib turing.

O'ZBEKCHA

- Dazmol sirtini bir oz namlangan mato bilan arting, shundan so'ng quruq mato bilan artib oling.
- Dazmollash joyidagi kirni suv aralashtirilgan sirkada xo'llangan mato bilan tozalasa bo'ladi.
- Kiri tozalangandan so'ng dazmollash joyini quruq mato bilan artib oling.
- Dazmollash joyini, sirtini qirib tozalaydigan vositalar bilan tozalamang.
- Dazmollash joyiga o'tkir metall buyumlar tekkizmang.

Saqlash

- Dazmolni saqlashga olib quyishdan oldin tozalab, suv idishida (10) qolgan suvni to'kib tashlang.
- Haroratni o'zgartiradigan murvatini (11) «minimum» tomonga, doimiy bug' chiqishini o'zgartiradigan murvatini (3) esa «0» (bug' chiqishi o'chirilgan) tomonga o'tkazib qo'ying (1-rasm).
- Elektr shnurini dazmol asosidagi (8) o'raladigan joyiga o'rang (8-rasm).
- Dazmolni bolalarning qo'li yetmaydigan, quruq, salqin joyga tik qo'yib olib qo'ying.

To'plami

Dazmol – 1 dona.

O'lchov idishi – 1 dona.

Qo'llanma – 1 dona.

Texnik xususiyati

Ishlaydigan tok kuchi: 220-240 V ~ 50 Hz

Ishlatadigan eng ko'p quvvati: 2500 W

Ishlab chiqaruvchining oldindan xabar bermay jihoz xususiyatlarini o'zgartirishga huquqi bo'ladi

Jihozning ishlash muddati – 3 yil

Kafolat shartlari

Ushbu jihozga kafolat berish masalasida hududiy diler yoki ushbu jihoz xarid qiningan kompaniyaga murojaat qiling. Kassa cheki yoki xaridni tasdiqlaydigan boshqa bir moliyaviy hujjat kafolat xizmatini berish sharti hisoblanadi.



Ushbu jihoz 2004/108/EC Ko'rsatmasi asosida belgilangan va Quvvat kuchini belgilash Qonunida (2006/95/EC) aytilgan YAXS talablariga muvofiq keladi.

GB

A production date of the item is indicated in the serial number on the technical data plate. A serial number is an eleven-unit number, with the first four figures indicating the production date. For example, serial number 0606xxxxxxx means that the item was manufactured in June (the sixth month) 2006.

DE

Das Produktionsdatum ist in der Seriennummer auf dem Schild mit technischen Eigenschaften dargestellt. Die Seriennummer stellt eine elfstellige Zahl dar, die ersten vier Zahlen bedeuten dabei das Produktionsdatum. Zum Beispiel bedeutet die Seriennummer 0606xxxxxxx, dass die Ware im Juni (der sechste Monat) 2006 hergestellt wurde.

RUS

Дата производства изделия указана в серийном номере на табличке с техническими данными. Серийный номер представляет собой одиннадцатизначное число, первые четыре цифры которого обозначают дату производства. Например, серийный номер 0606xxxxxxx означает, что изделие было произведено в июне (шестой месяц) 2006 года.

KZ

Бұйымның шығарылған мерзімі техникалық деректері бар кестедегі сериялық нөмірде көрсетілген. Сериялық нөмір он бір саннан тұрады, оның бірінші төрт саны шығару мерзімін білдіреді. Мысалы, сериялық нөмір 0606xxxxxxx болса, бұл бұйым 2006 жылдың маусым айында (алтыншы ай) жасалғанын білдіреді.

RO/MD

Data fabricării este indicată în numărul de serie pe tabelul cu datele tehnice. Numărul de serie reprezintă un număr din unsprezece cifre, primele patru cifre indicând data fabricării. De exemplu, dacă numărul de serie este 0606xxxxxxx, înseamnă că produsul dat a fost fabricat în iunie (luna a asea) 2006.

CZ

Datum výroby spotřebiče je uveden v sériovém čísle na výrobním štítku s technickými údaji. Sériové číslo je jedenáctimístní číslo, z nichž první čtyři číslice znamenají datum výroby. Například sériové číslo 0606xxxxxxx znamená, že spotřebič byl vyroben v červnu (šestý měsíc) roku 2006.

UA

Дата виробництва виробу вказана в серійному номері на табличці з технічними даними. Серійний номер представляє собою одинадцятизначне число, перші чотири цифри якого означають дату виробництва. Наприклад, серійний номер 0606xxxxxxx означає, що виріб був виготовлений в червні (шостий місяць) 2006 року.

BEL

Дата вытворчасці вырабу паказана ў серыйным нумары на таблічце з тэхнічнымі дадзенымі. Серыйны нумар прадстаўляе сабою адзінаццацатае чысло, першыя чатыры лічбы якога абазначаюць дату вытворчасці. Напрыклад, серыйны нумар 0606xxxxxxx азначае, што выраб быў зроблен ў чэрвені (шосты месяц) 2006 года.

UZ

Mahsulot ishlab chiqarilgan muddat texnik xususiyatlari yozilgan yorliqdagi seriya raqamida ko'rsatilgan. Seriya raqami o'n bitta raqamdan iborat bo'ladi, birinchi to'rtta son ishlab chiqarilgan sanani bildiradi. Misol uchun, seriya raqami 0606xxxxxxx bo'lsa, mahsulot iyun (oltinchi oy) 2006 yili ishlab chiqarilgan bo'ladi.

